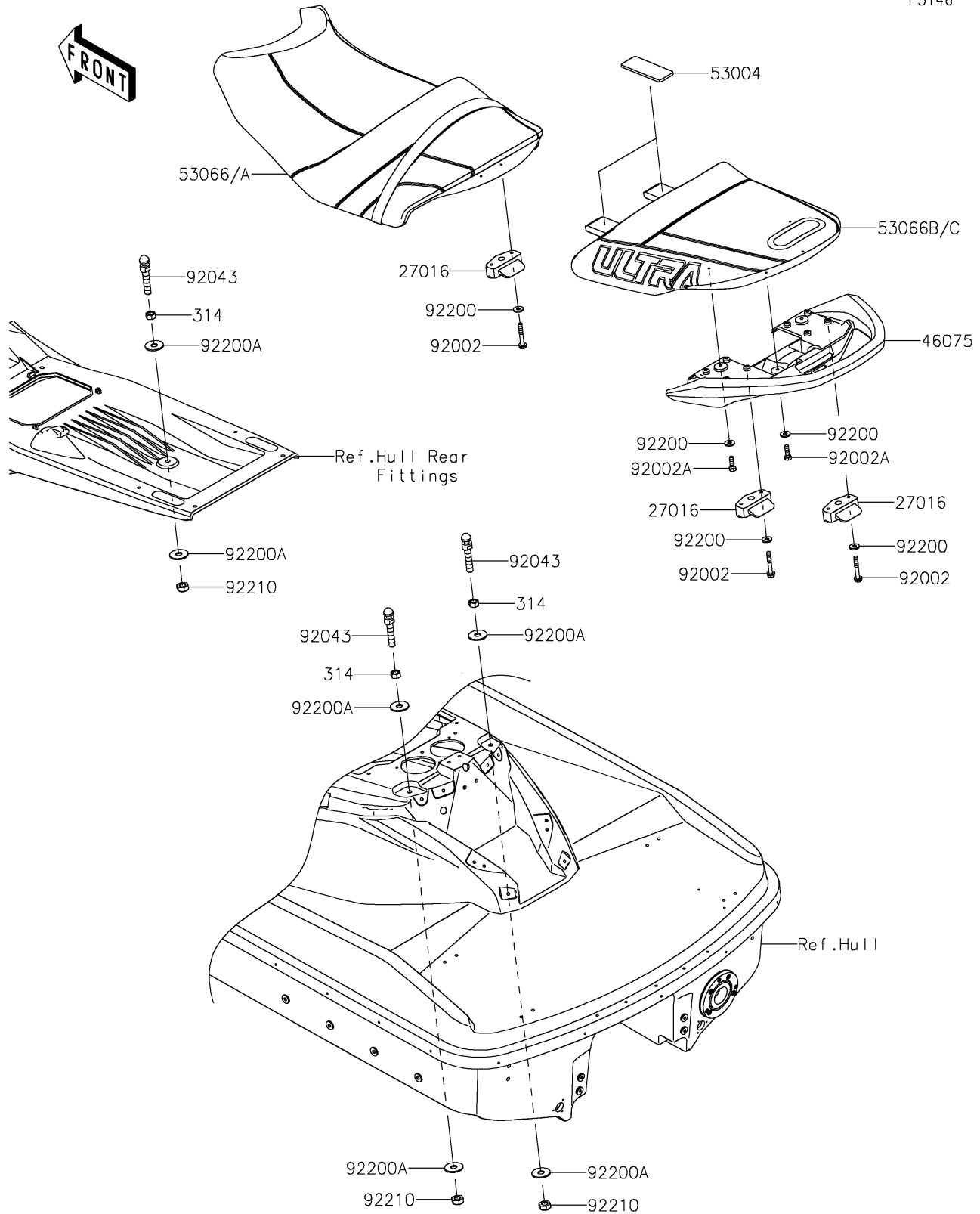


2024 JET SKI® ULTRA® 160LX-S

PARTS DIAGRAM

Seat

F3146



2024 JET SKI® ULTRA® 160LX-S



PARTS LIST

Seat

ITEM NAME	PART NUMBER	QUANTITY
-----------	-------------	----------
