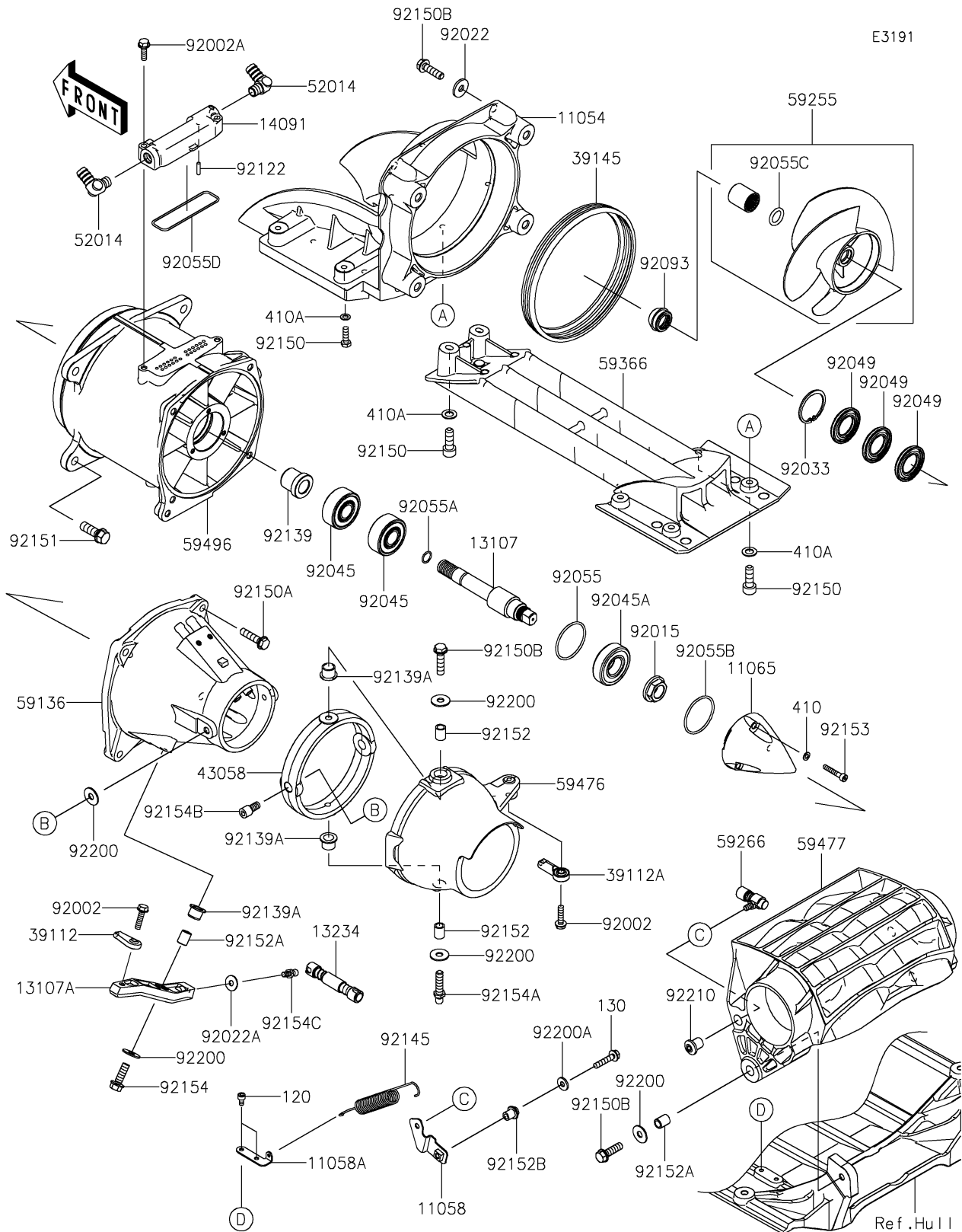


2024 JET SKI® ULTRA® 160LX-S

PARTS DIAGRAM

Jet Pump



2024 JET SKI® ULTRA® 160LX-S

PARTS LIST

Jet Pump

ITEM NAME	PART NUMBER	QUANTITY
-----------	-------------	----------
