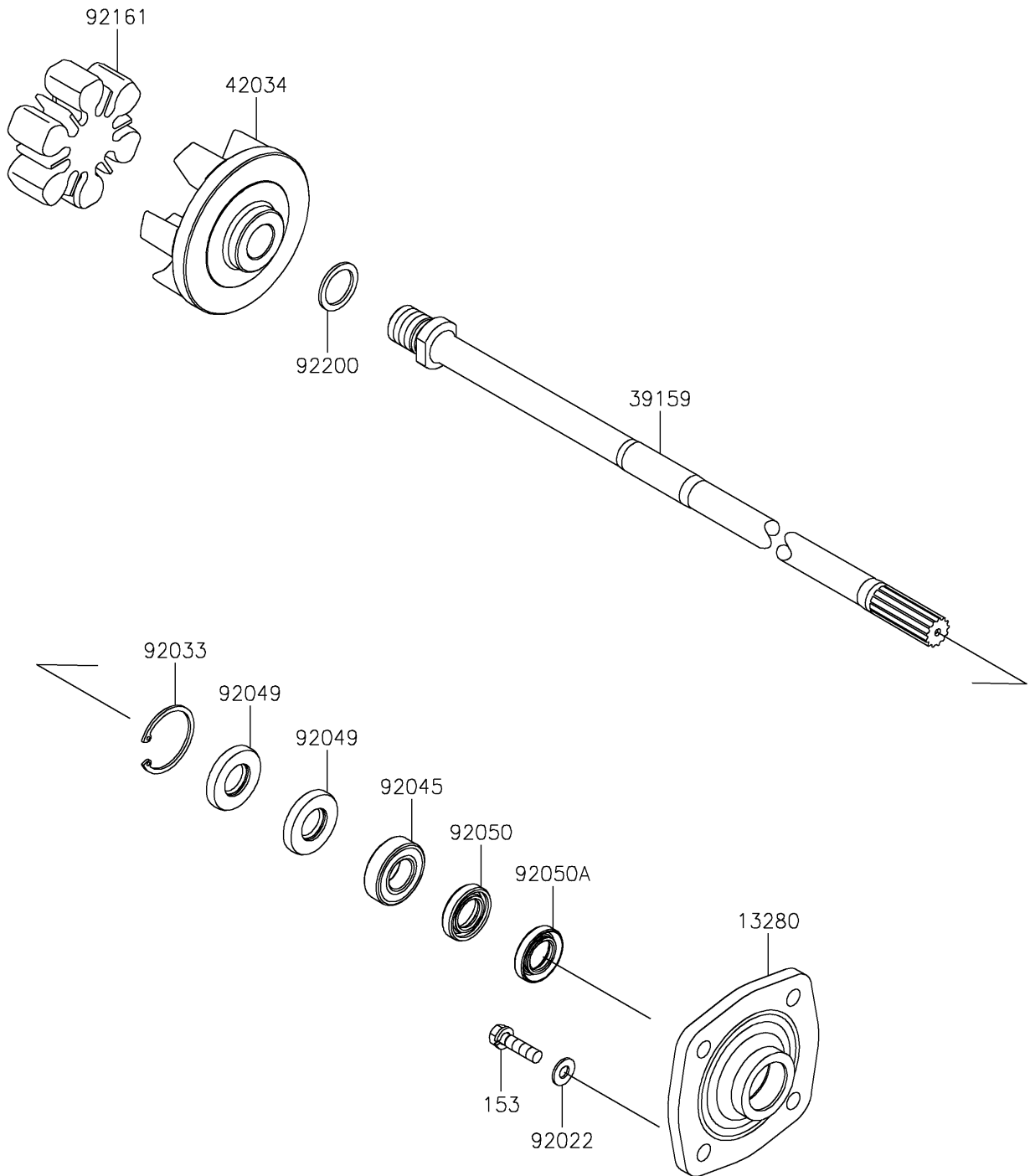


# 2025 Ultra 160LX-S

## PARTS DIAGRAM

### Drive Shaft

E3134



# 2025 Ultra 160LX-S

## PARTS LIST

### Drive Shaft

**ITEM NAME**

**PART NUMBER**

**QUANTITY**

---