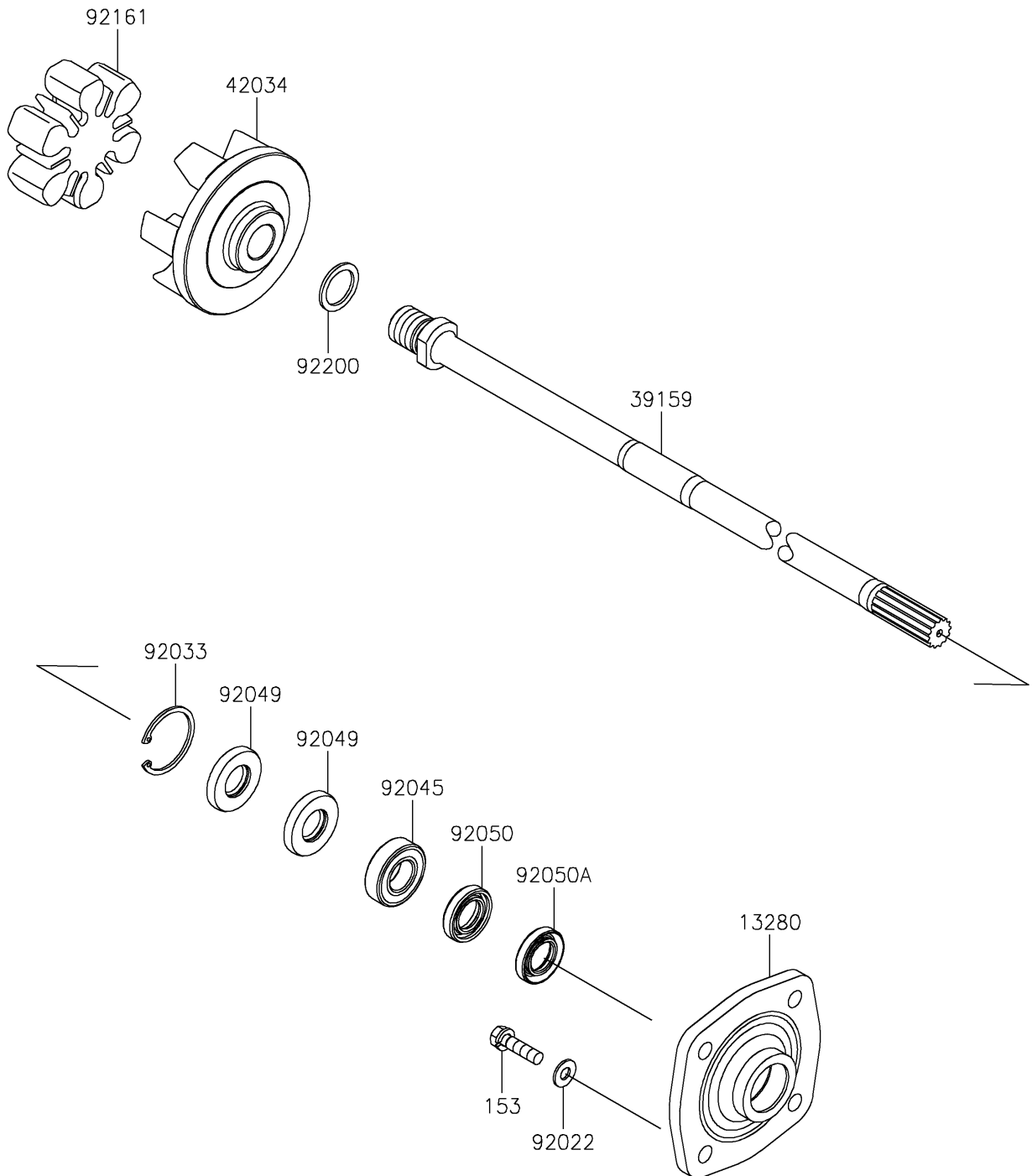


2025 JET SKI® ULTRA® 160LX-S

PARTS DIAGRAM

Drive Shaft

E3134



2025 JET SKI® ULTRA® 160LX-S

PARTS LIST

Drive Shaft

ITEM NAME	PART NUMBER	QUANTITY
-----------	-------------	----------
