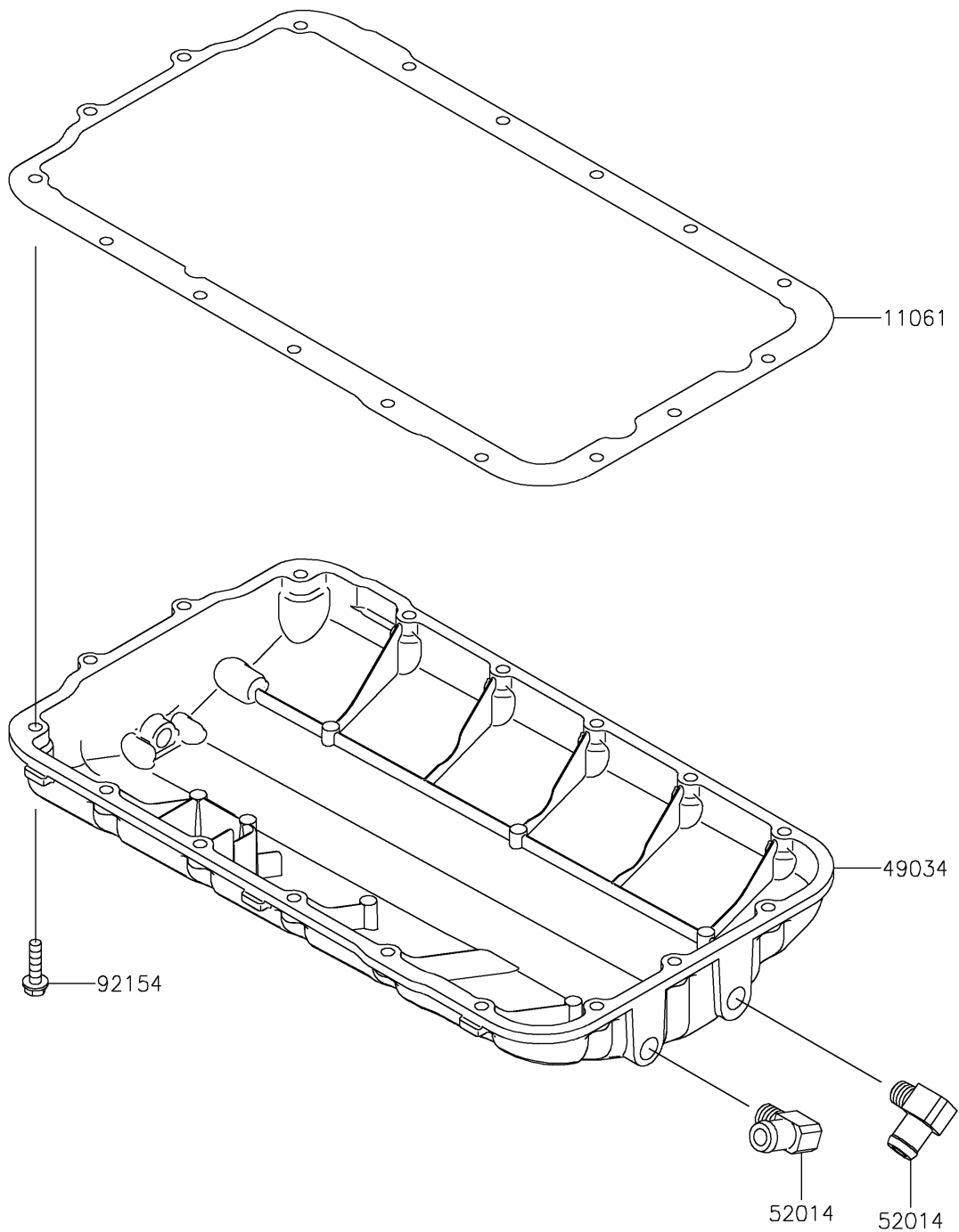


# 2024 JET SKI® ULTRA® 160LX-S

## PARTS DIAGRAM

### Oil Pan

E1434



# 2024 JET SKI® ULTRA® 160LX-S



## PARTS LIST

Oil Pan

ITEM NAME	PART NUMBER	QUANTITY
-----------	-------------	----------