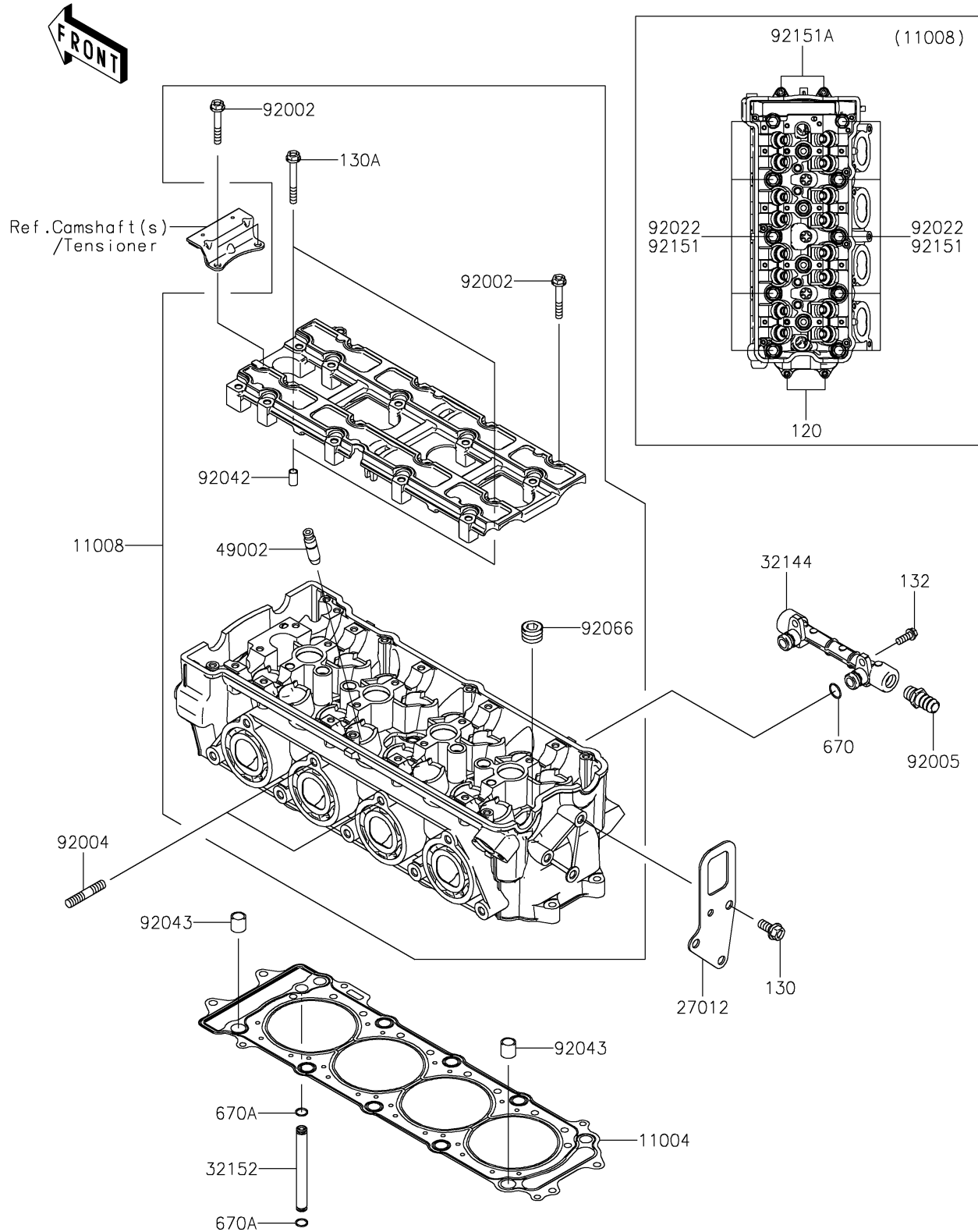


# 2024 JET SKI® ULTRA® 160LX-S

## PARTS DIAGRAM

### Cylinder Head

E1111



# 2024 JET SKI® ULTRA® 160LX-S

## PARTS LIST Cylinder Head

ITEM NAME	PART NUMBER	QUANTITY
-----------	-------------	----------

---