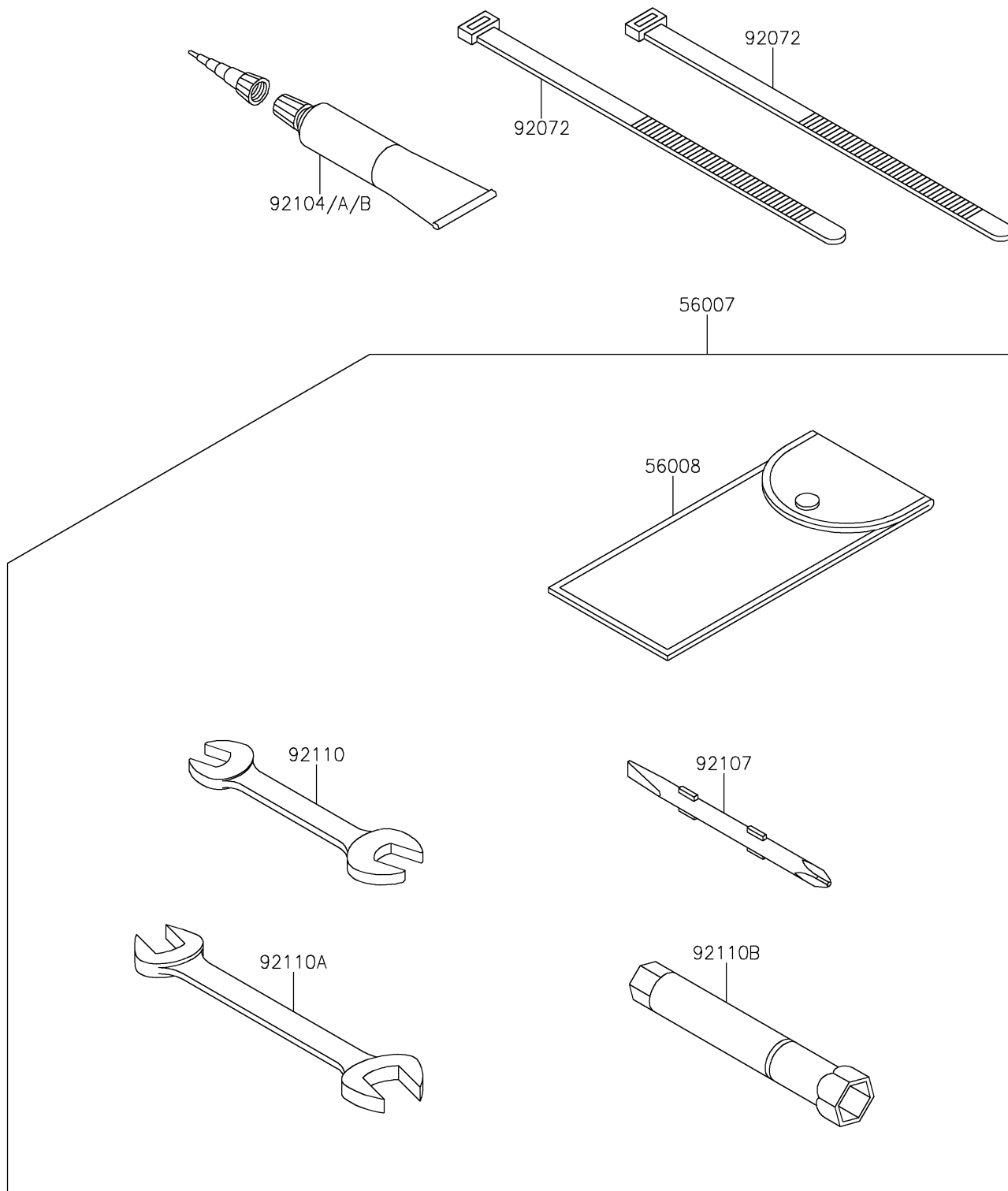


# 2026 JET SKI® STX® 160X

## PARTS DIAGRAM

### Owner's Tools

F3182



# 2026 JET SKI® STX® 160X

## PARTS LIST

### Owner's Tools



**ITEM NAME**

**PART NUMBER**

**QUANTITY**

---