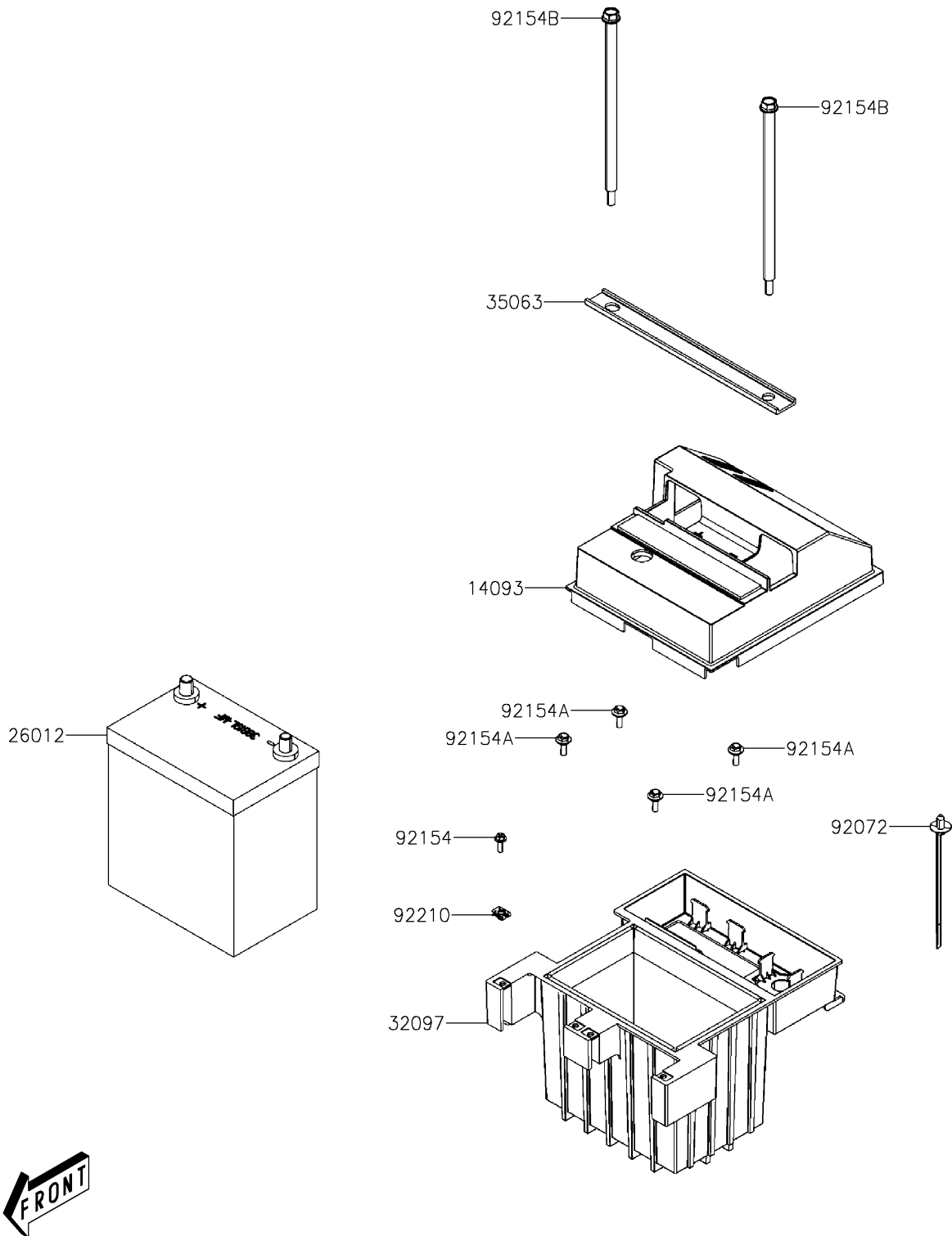


2026 MULE PRO-MX™ EPS

PARTS DIAGRAM

Battery

F2761



2026 MULE PRO-MX™ EPS

PARTS LIST

Battery

ITEM NAME

PART NUMBER

QUANTITY
