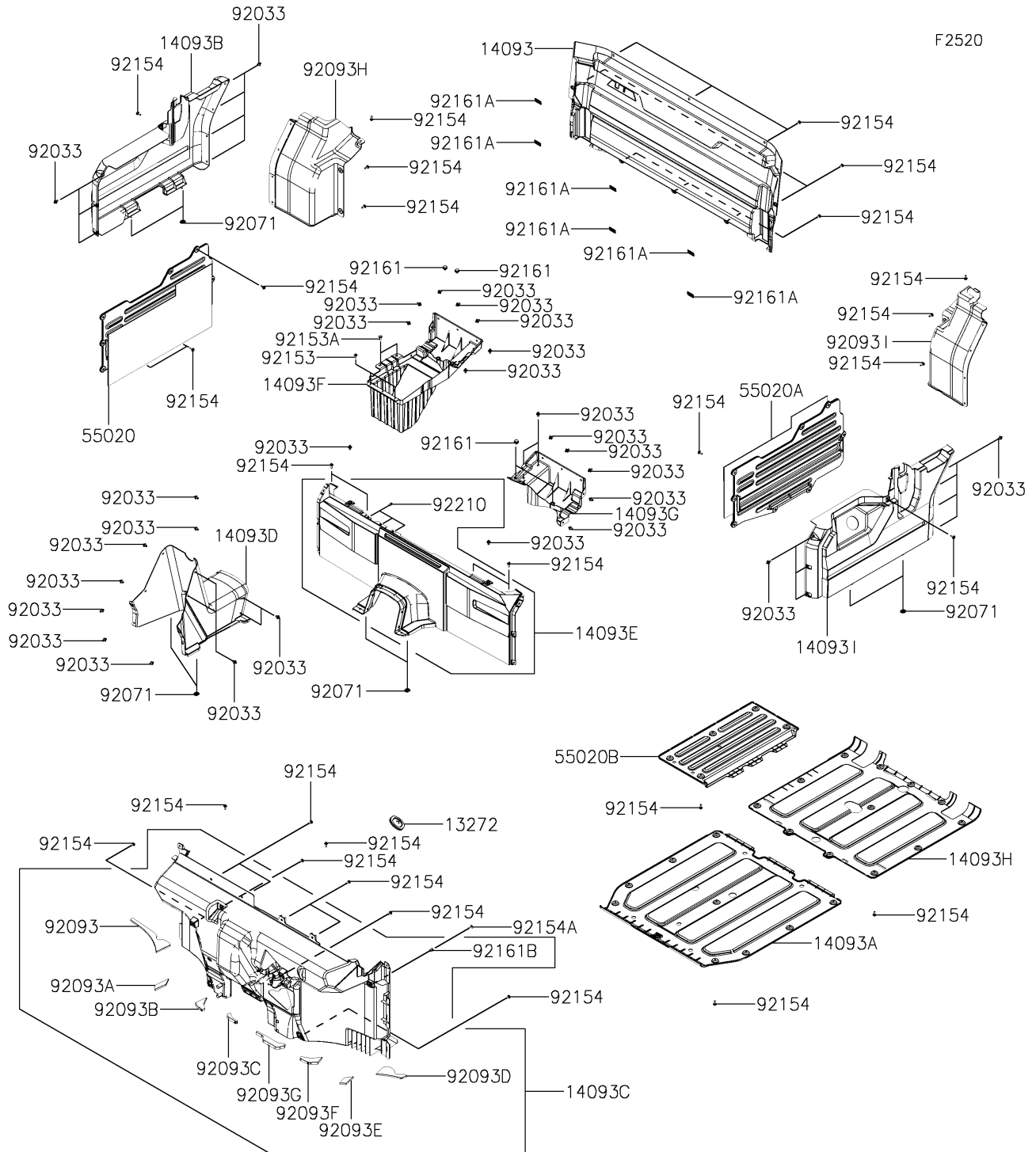


2026 MULE PRO-MX™ EPS

PARTS DIAGRAM

Carrier(s)



2026 MULE PRO-MX™ EPS

PARTS LIST

Carrier(s)

ITEM NAME

PART NUMBER

QUANTITY
