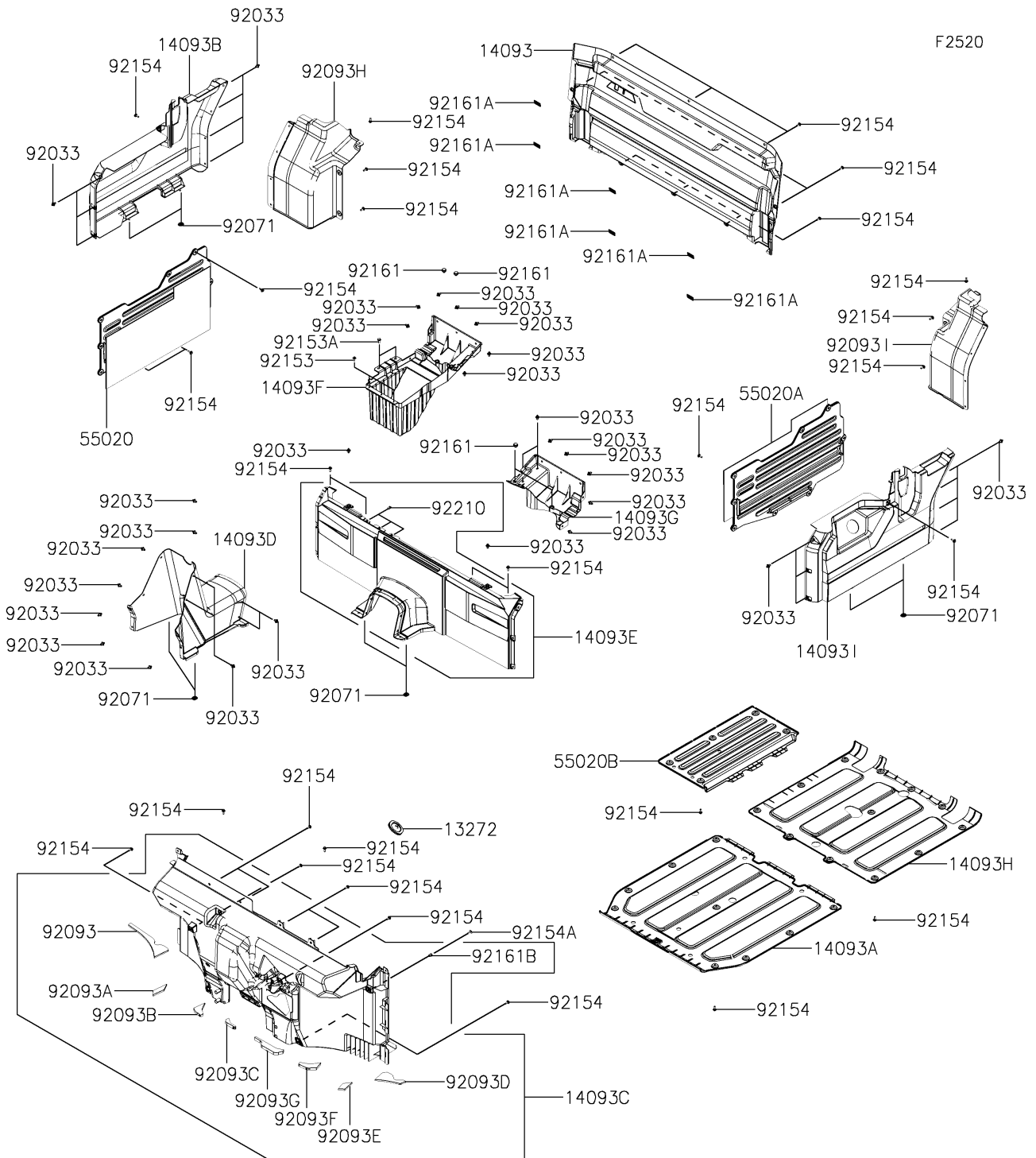


# 2025 Mule PRO-MX EPS

## PARTS DIAGRAM

### Carrier(s)



# 2025 Mule PRO-MX EPS

## PARTS LIST

Carrier(s)

**ITEM NAME**

**PART NUMBER**

**QUANTITY**

---