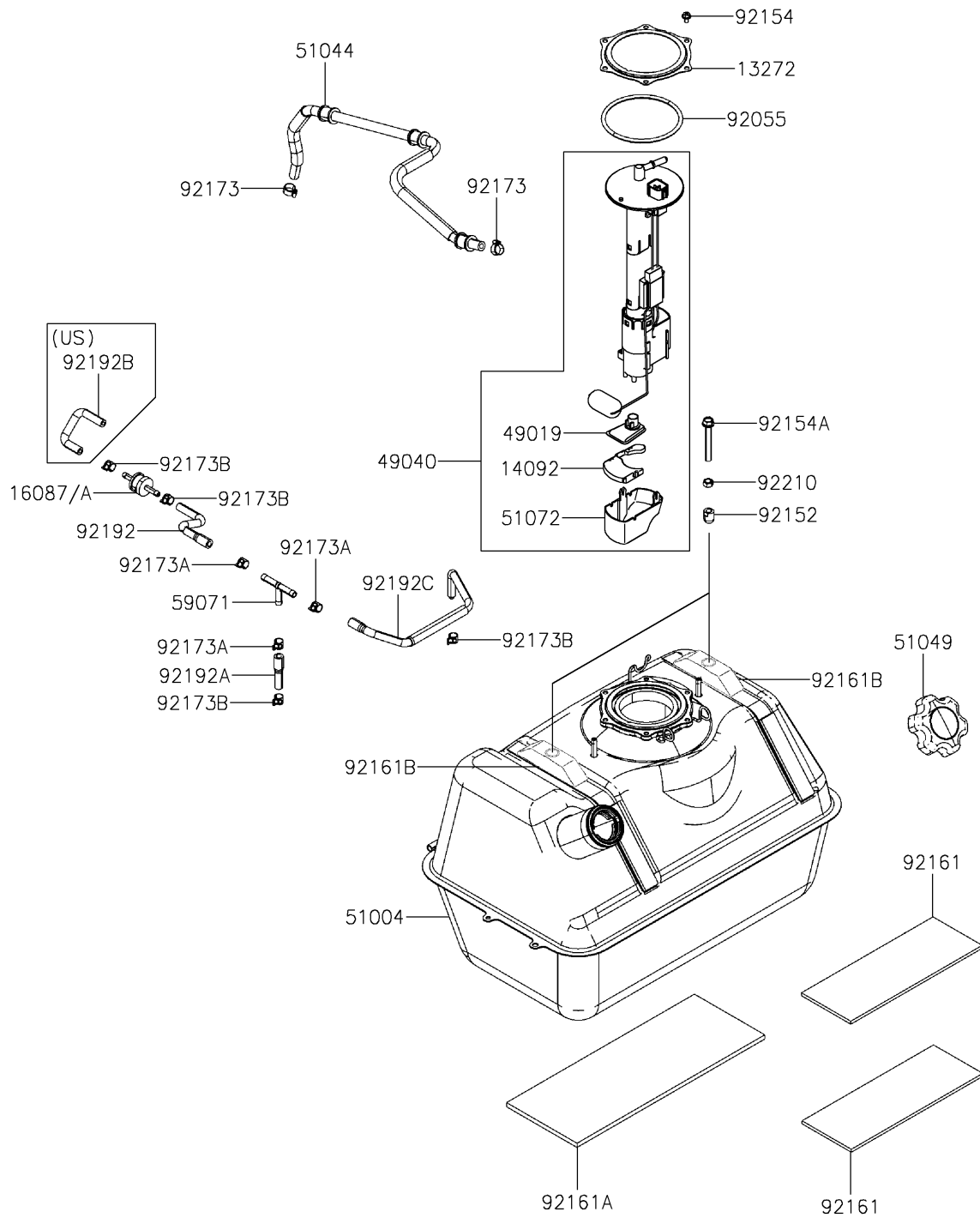


2026 Mule PRO-MX EPS

PARTS DIAGRAM

Fuel Tank

F2410



2026 Mule PRO-MX EPS

PARTS LIST

Fuel Tank

ITEM NAME

PART NUMBER

QUANTITY
