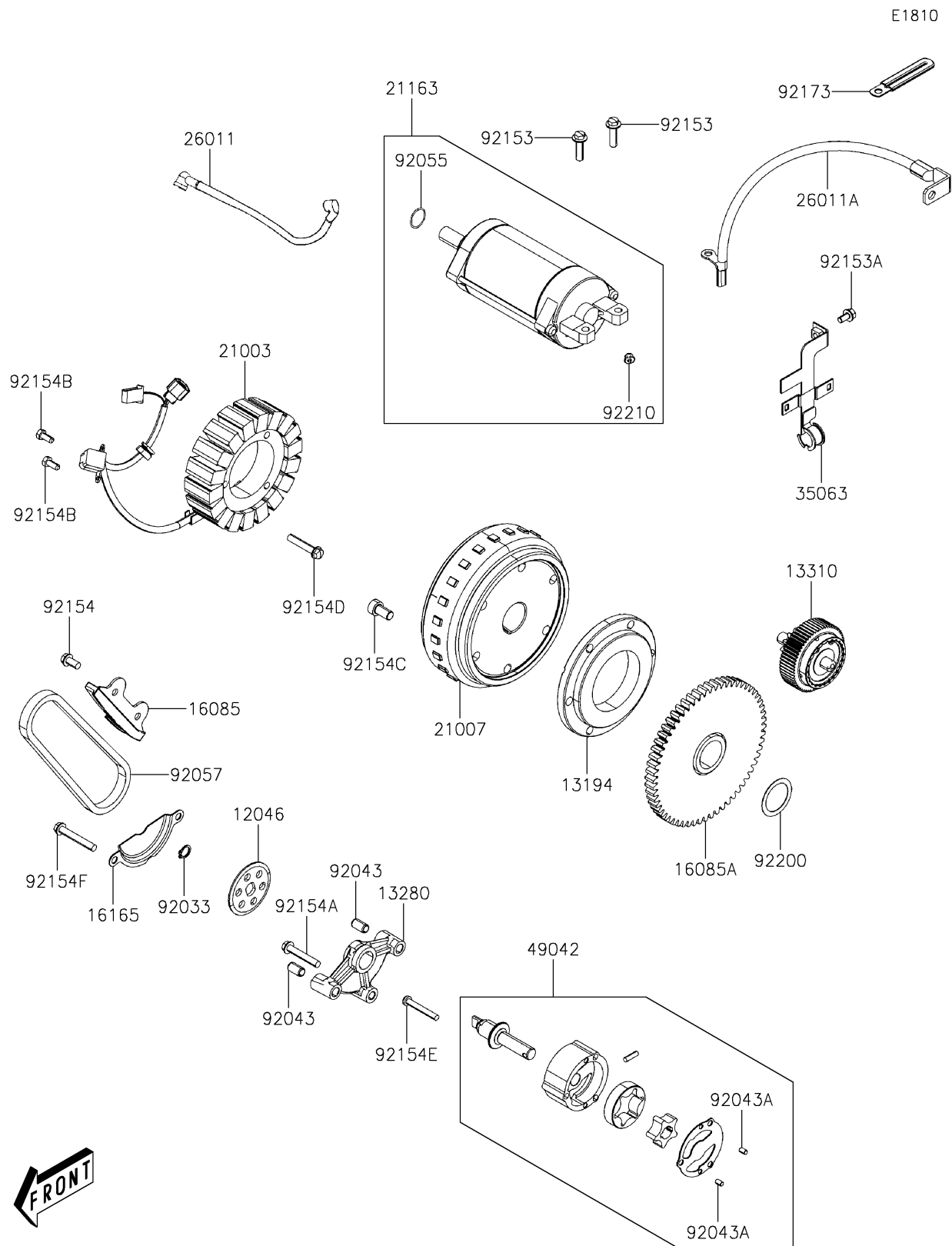


# 2025 Mule PRO-MX EPS

## PARTS DIAGRAM

### Generator



# 2025 Mule PRO-MX EPS

## PARTS LIST

### Generator

**ITEM NAME**

**PART NUMBER**

**QUANTITY**

---