

# 2026 MULE PRO-MX™ EPS

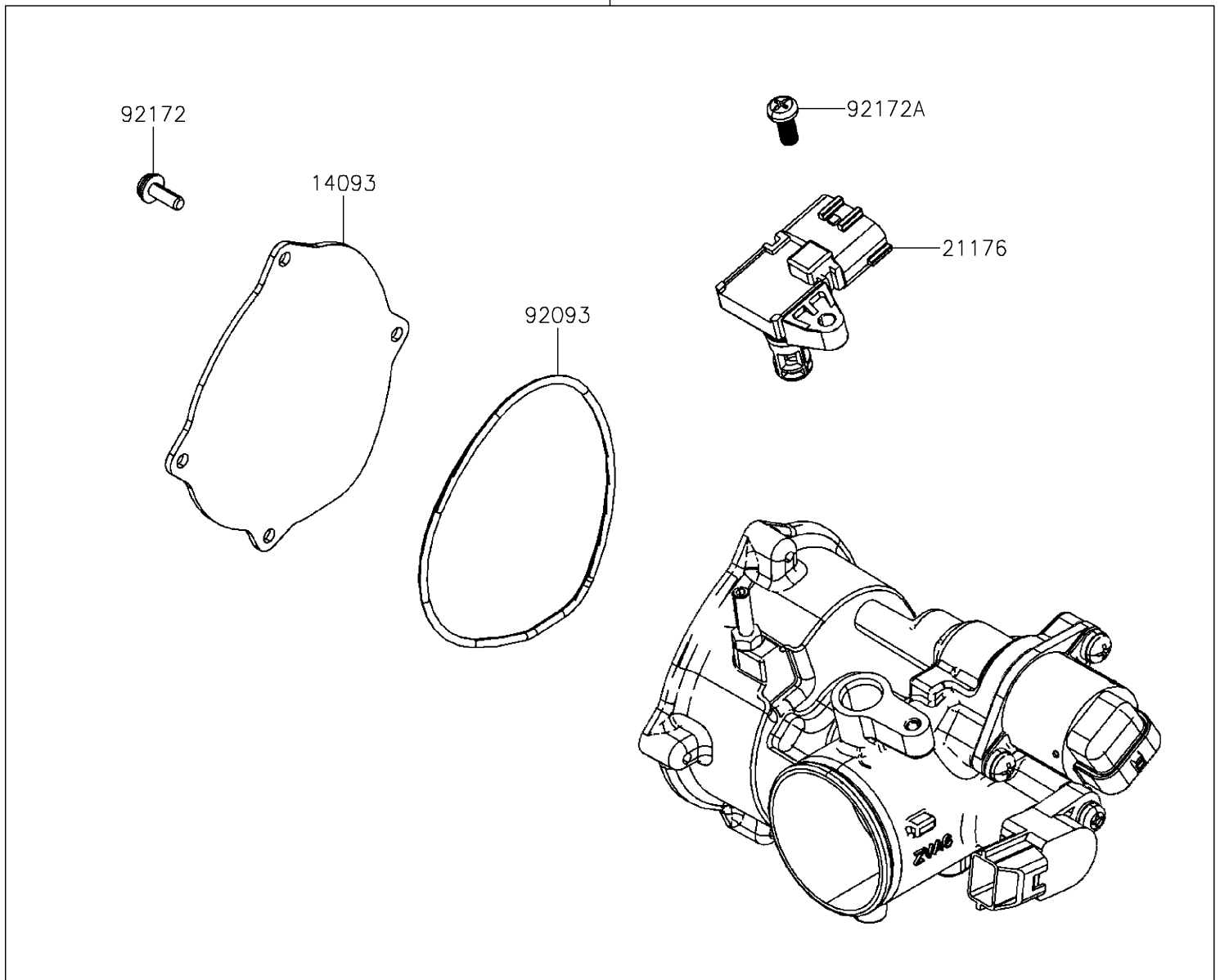
## PARTS DIAGRAM

### Throttle

E1510



16163



# 2026 MULE PRO-MX™ EPS

## PARTS LIST

Throttle

**ITEM NAME**

**PART NUMBER**

**QUANTITY**

---