

# 2024 Mule PRO-MX EPS

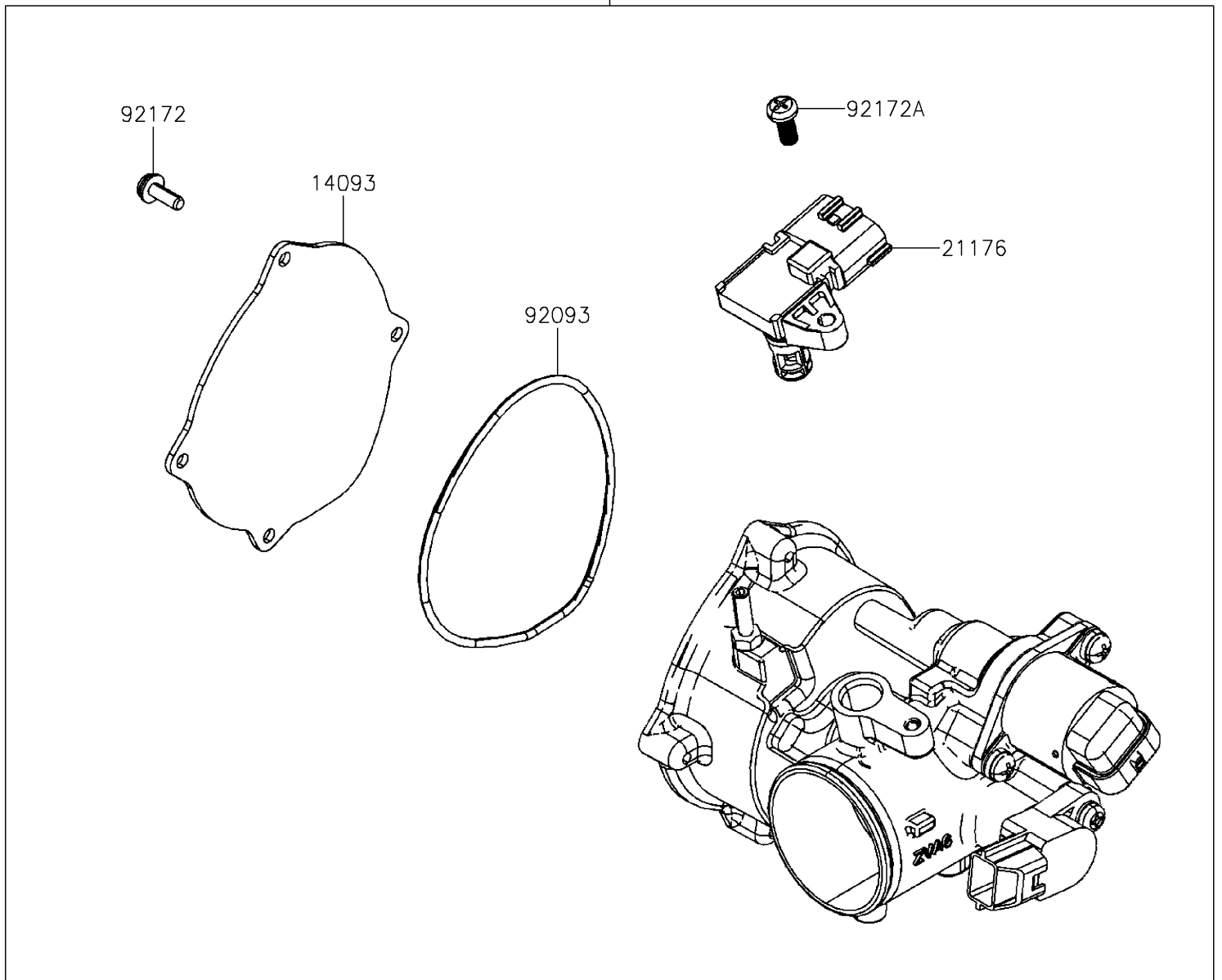
## PARTS DIAGRAM

### Throttle

E1510



16163



# 2024 Mule PRO-MX EPS

## PARTS LIST

### Throttle

**ITEM NAME**

**PART NUMBER**

**QUANTITY**

---