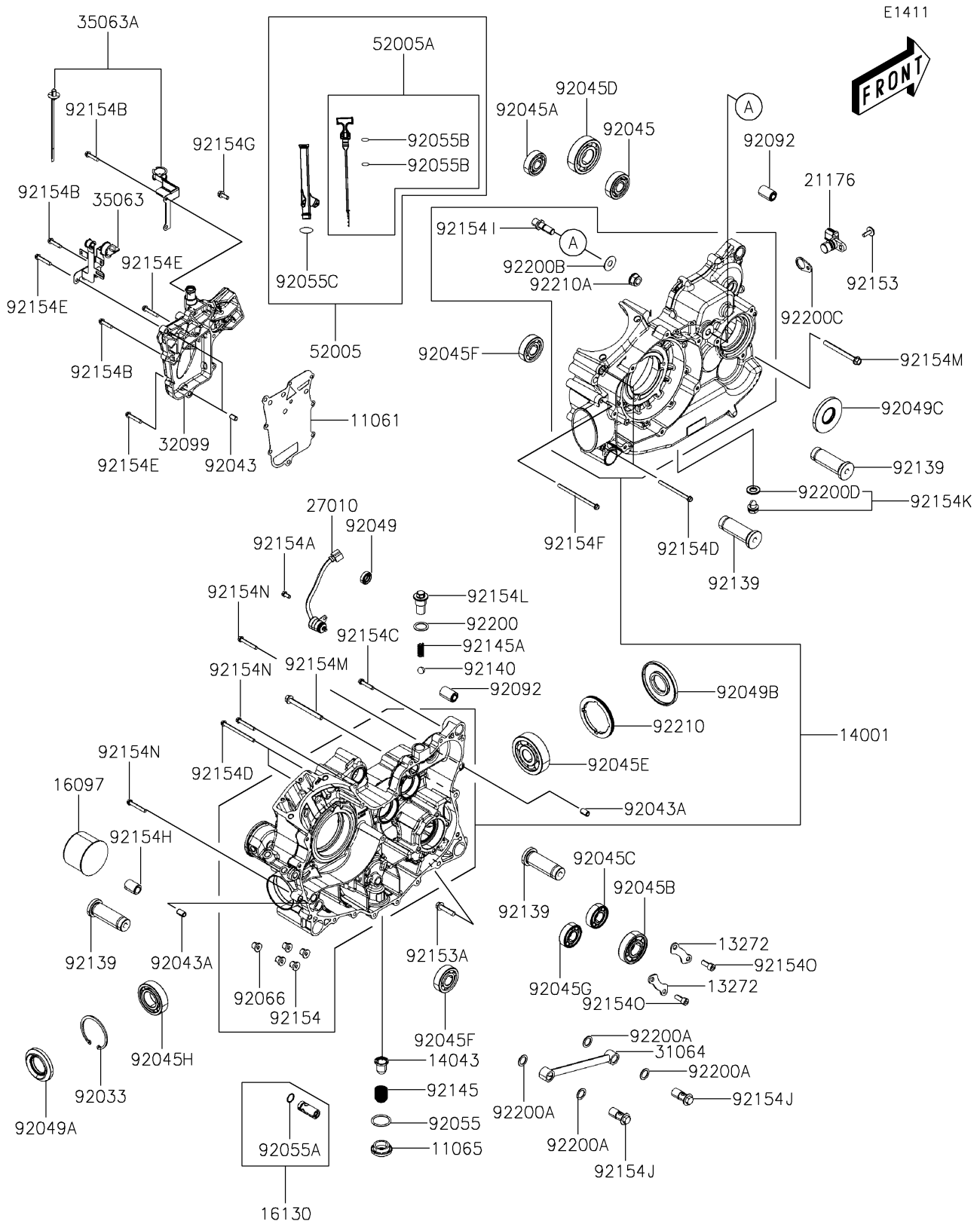


2026 MULE PRO-MX™ EPS

PARTS DIAGRAM

Crankcase



2026 MULE PRO-MX™ EPS

PARTS LIST

Crankcase

ITEM NAME

PART NUMBER

QUANTITY
