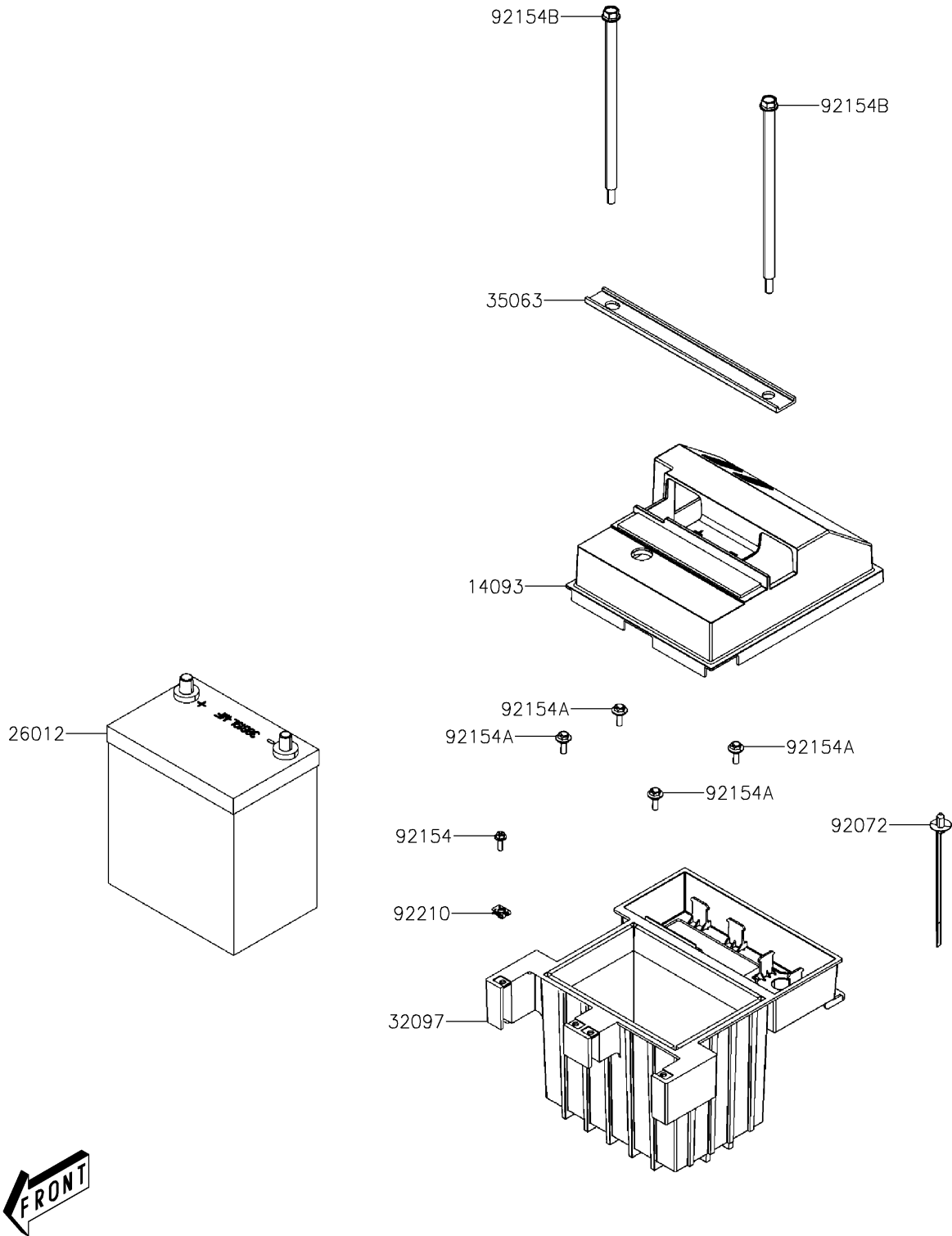


# 2023 Mule PRO-MX™

## PARTS DIAGRAM

### Battery

F2761



# 2023 Mule PRO-MX™

## PARTS LIST

### Battery

**ITEM NAME**

**PART NUMBER**

**QUANTITY**

---