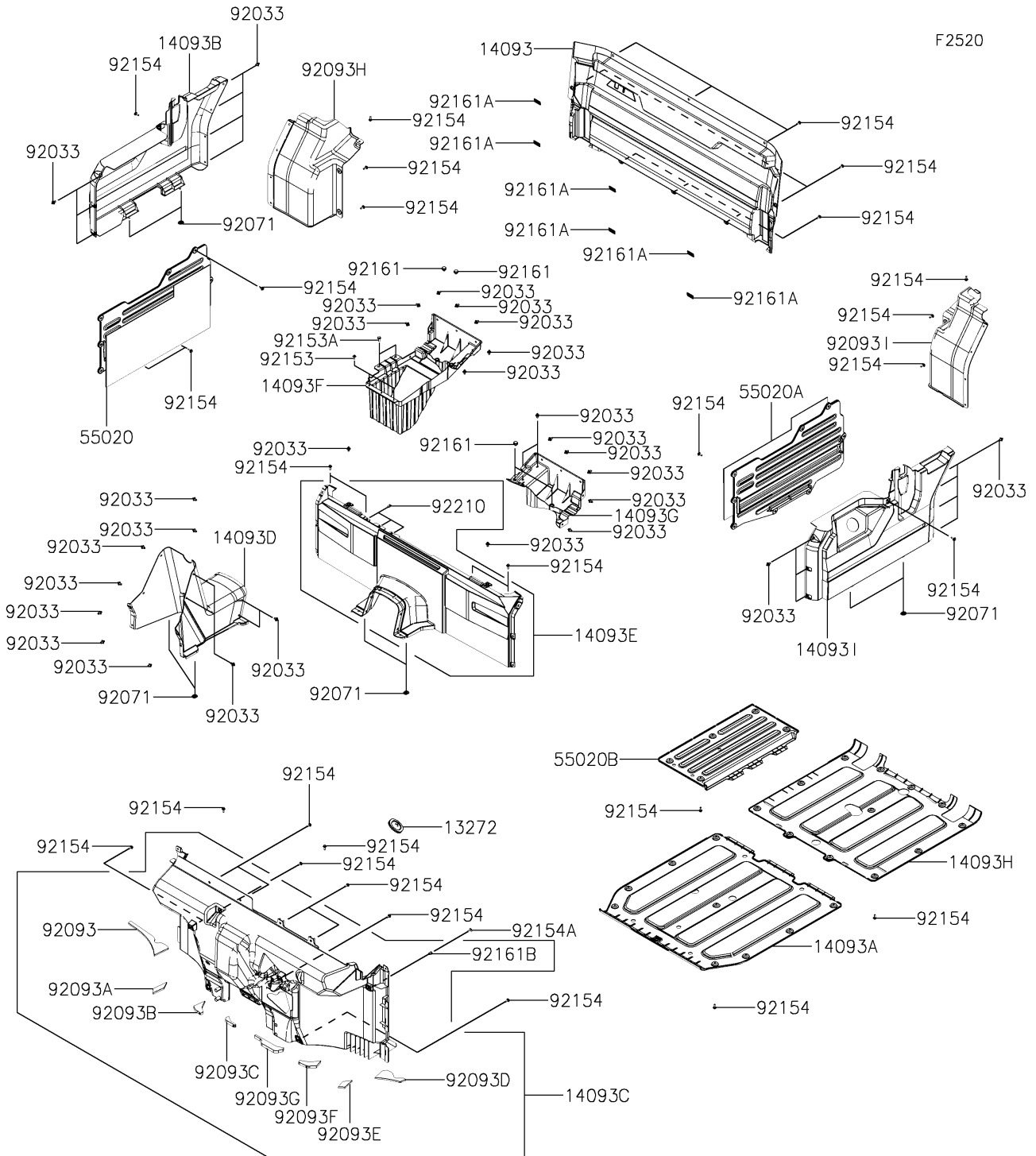


# 2026 Mule PRO-MX

## PARTS DIAGRAM

### Carrier(s)



# 2026 Mule PRO-MX

## PARTS LIST

Carrier(s)

**Kawasaki**

Let the Good Times Roll®

**ITEM NAME**

**PART NUMBER**

**QUANTITY**

---