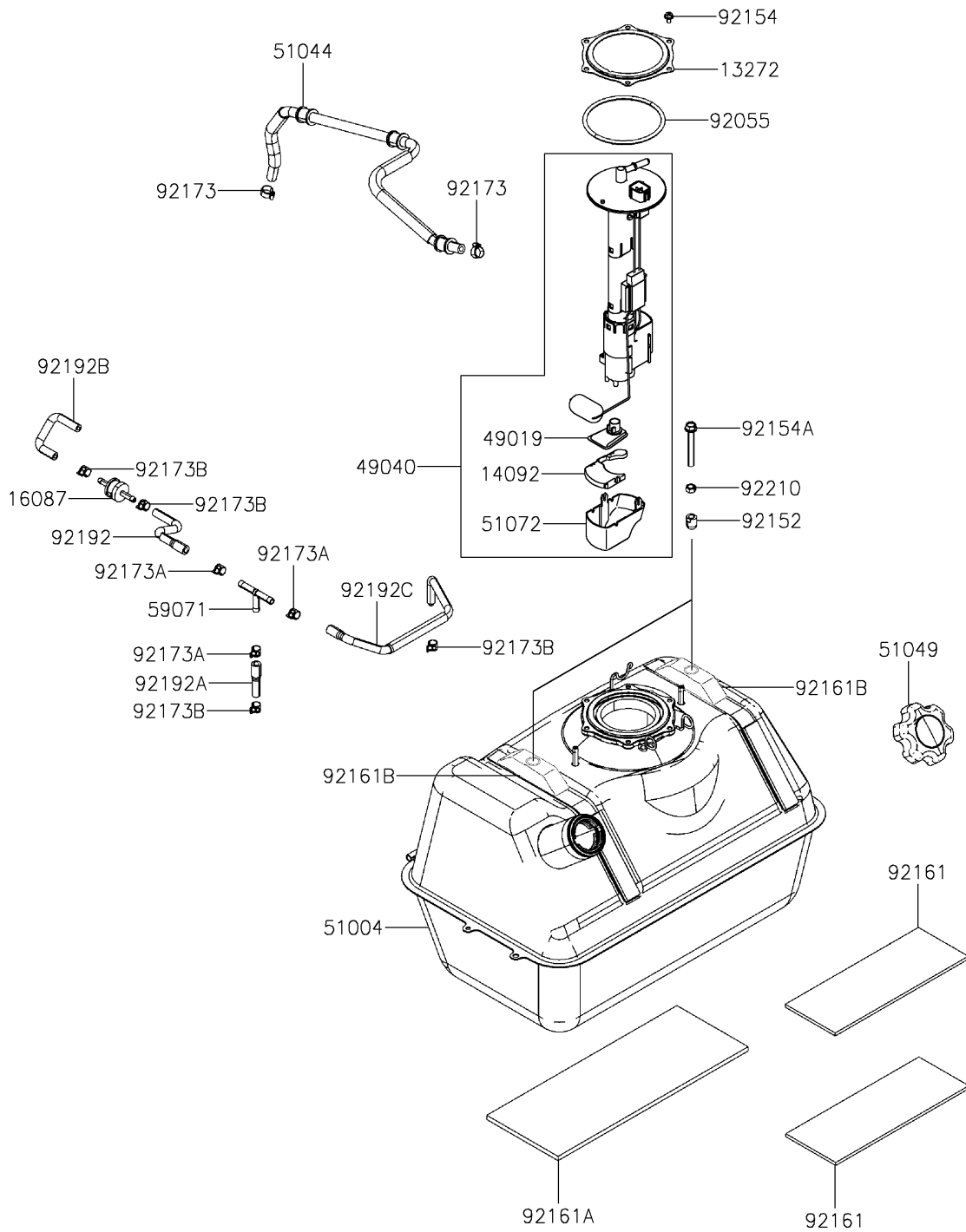


# 2025 MULE PRO-MX™ SE

## PARTS DIAGRAM

### Fuel Tank

F2410



# 2025 MULE PRO-MX™ SE

## PARTS LIST

Fuel Tank

**ITEM NAME**

**PART NUMBER**

**QUANTITY**

---