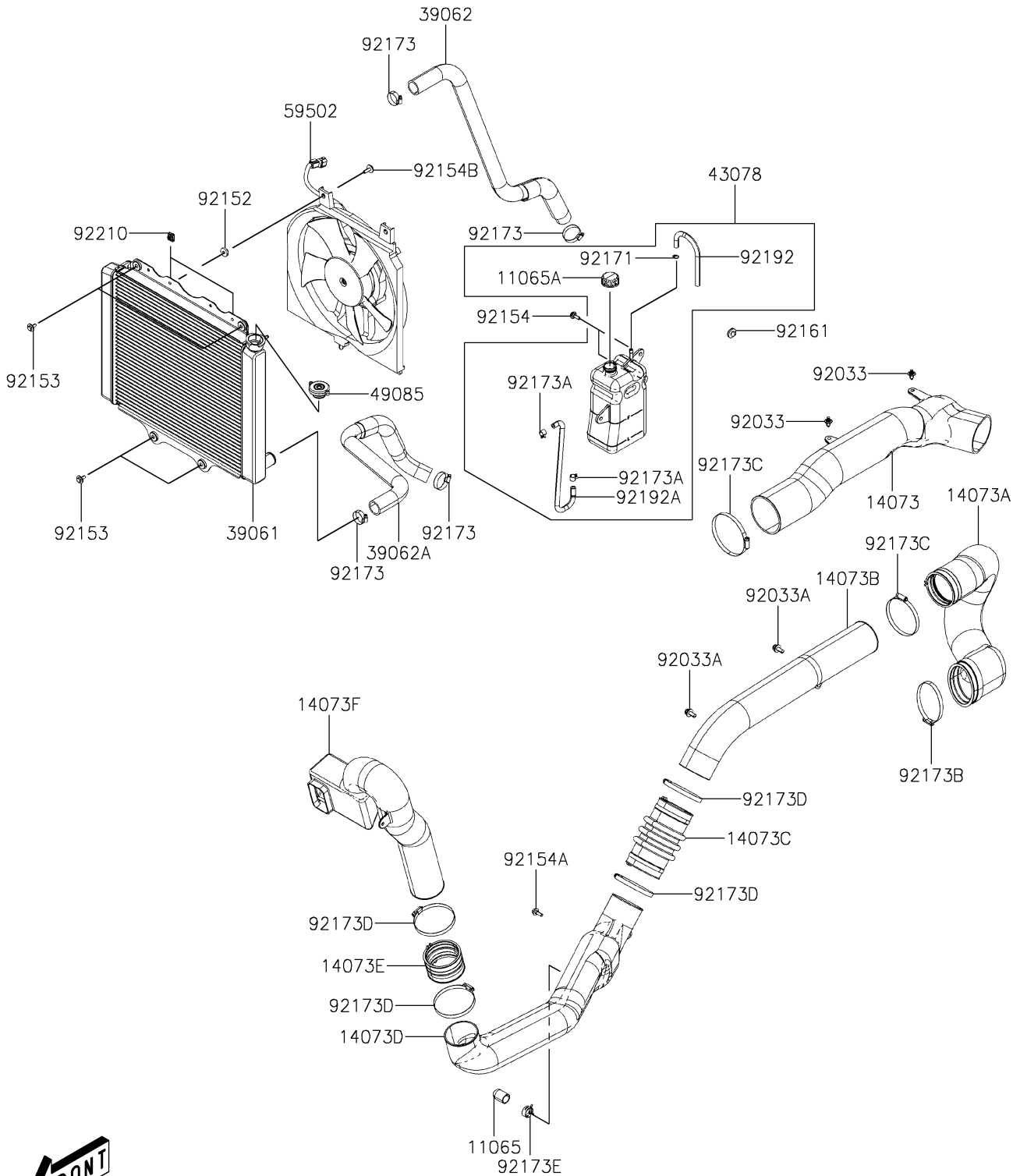


2023 MULE PRO-MX™ SE

PARTS DIAGRAM

Cooling

E3035



2023 MULE PRO-MX™ SE

PARTS LIST

Cooling

| ITEM NAME | PART NUMBER | QUANTITY |
|---------------------------------|-------------|----------|
| CAP,DRAIN (Ref # 11065) | 11065-Y036 | 1 |
| CAP,RESERVE TANK (Ref # 11065A) | 11065-Y037 | 1 |
| DUCT (Ref # 14073) | 14073-Y011 | 1 |
| DUCT,INTAKE (Ref # 14073A) | 14073-Y012 | 1 |
| DUCT,INTAKE (Ref # 14073B) | 14073-Y013 | 1 |
| DUCT,INTAKE (Ref # 14073C) | 14073-Y014 | 1 |
| DUCT,INTAKE (Ref # 14073D) | 14073-Y015 | 1 |
| DUCT,INTAKE (Ref # 14073E) | 14073-Y016 | 1 |
| DUCT,INTAKE (Ref # 14073F) | 14073-Y017 | 1 |
| RADIATOR-ASSY (Ref # 39061) | 39061-Y004 | 1 |
| HOSE-COOLING (Ref # 39062) | 39062-Y016 | 1 |
| HOSE-COOLING (Ref # 39062A) | 39062-Y017 | 1 |
| RESERVOIR (Ref # 43078) | 43078-Y004 | 1 |
| CAP-ASSY-PRESSURE (Ref # 49085) | 49085-Y005 | 1 |
| FAN-ASSY (Ref # 59502) | 59502-Y003 | 1 |
| RING-SNAP (Ref # 92033) | 92033-Y033 | 2 |
| RING-SNAP (Ref # 92033A) | 92033-Y035 | 2 |
| COLLAR (Ref # 92152) | 92152-Y072 | 2 |
| BOLT,6X20 (Ref # 92153) | 92153-Y019 | 4 |
| BOLT,6X18 (Ref # 92154) | 92154-Y177 | 2 |
| BOLT,FLANGE,6MM (Ref # 92154A) | 92154-Y180 | 1 |
| BOLT,6X22 (Ref # 92154B) | 92154-Y191 | 2 |
| DAMPER (Ref # 92161) | 92161-Y048 | 1 |
| CLAMP (Ref # 92171) | 92171-Y011 | 1 |
| CLAMP,28.6MM (Ref # 92173) | 92173-1205 | 4 |
| CLAMP,10.5 (Ref # 92173A) | 92173-Y023 | 2 |
| CLAMP (Ref # 92173B) | 92173-Y062 | 1 |
| CLAMP (Ref # 92173C) | 92173-Y064 | 2 |
| CLAMP (Ref # 92173D) | 92173-Y066 | 4 |

2023 MULE PRO-MX™ SE

PARTS LIST

Cooling

| ITEM NAME | PART NUMBER | QUANTITY |
|--------------------------|-------------|----------|
| CLAMP (Ref # 92173E) | 92173-Y082 | 1 |
| TUBE,DRAIN (Ref # 92192) | 92192-Y069 | 1 |
| TUBE (Ref # 92192A) | 92192-Y070 | 1 |
| NUT,6MM (Ref # 92210) | 92210-Y089 | 2 |