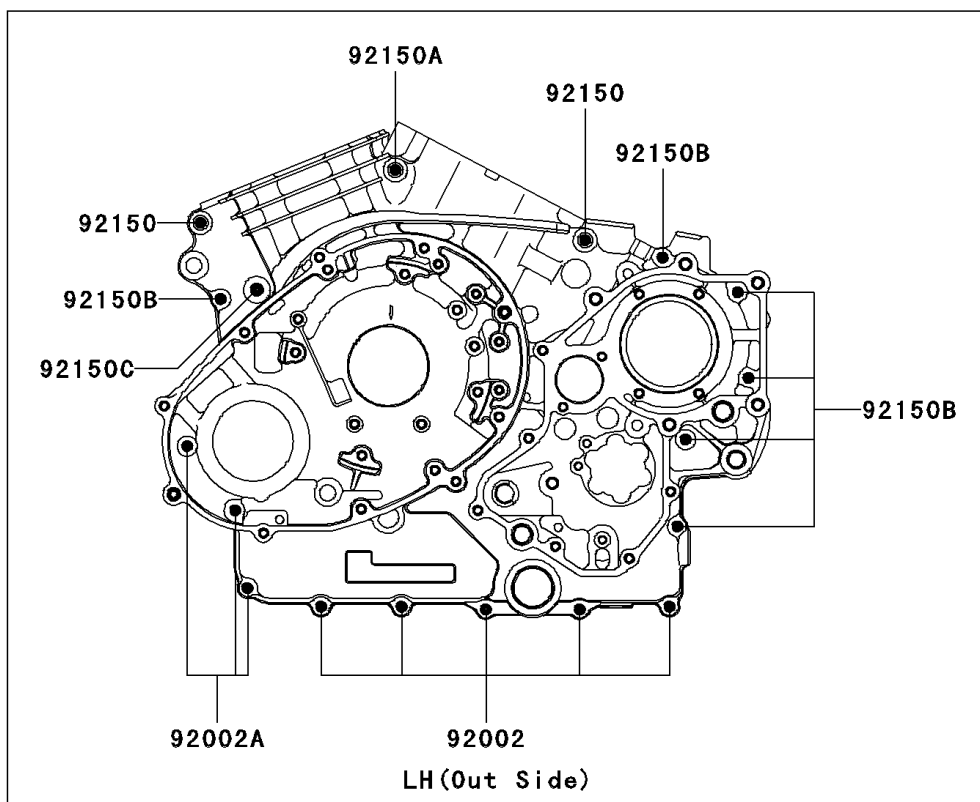
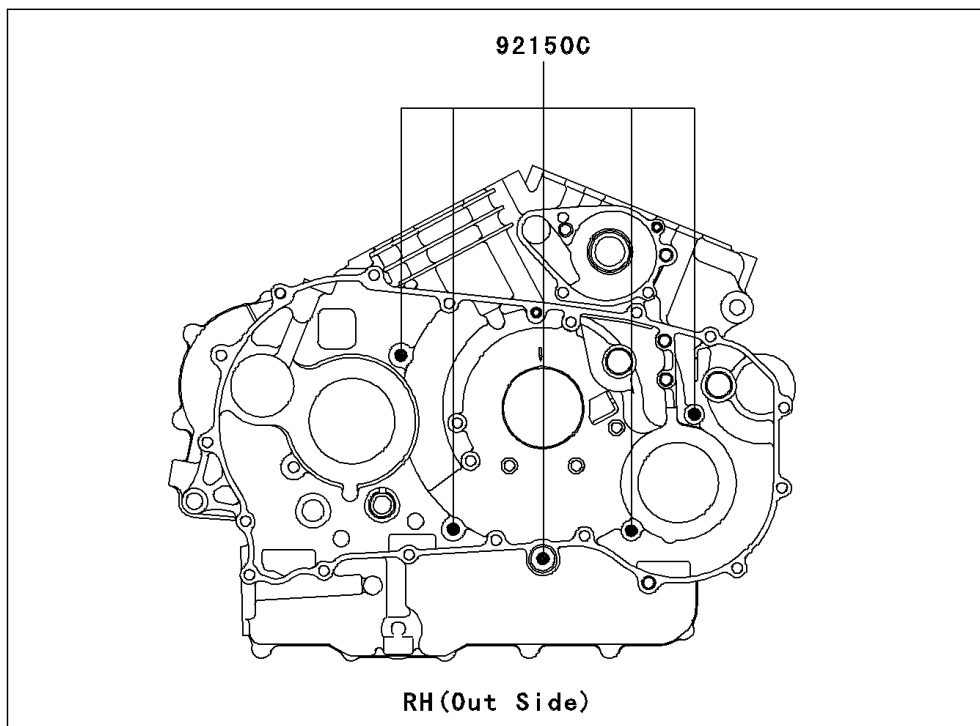


2005 Vulcan 1600 Nomad

PARTS DIAGRAM

Crankcase Bolt Pattern

E1412



2005 Vulcan 1600 Nomad

PARTS LIST

Crankcase Bolt Pattern

ITEM NAME

PART NUMBER

QUANTITY
