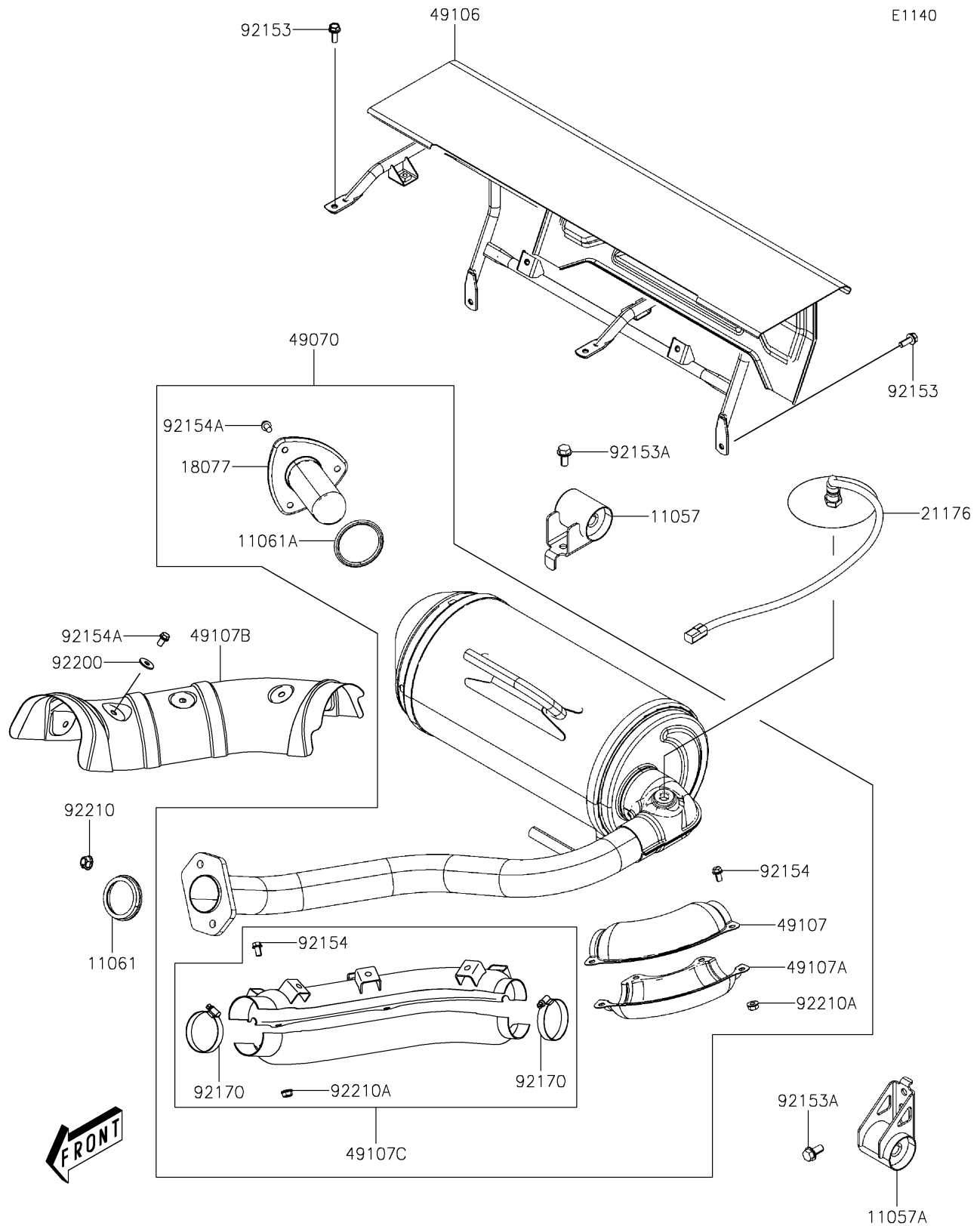


# 2026 Mule PRO-MX

## PARTS DIAGRAM

### Muffler(s)



# 2026 Mule PRO-MX

## PARTS LIST

Muffler(s)

**ITEM NAME**

**PART NUMBER**

**QUANTITY**

---