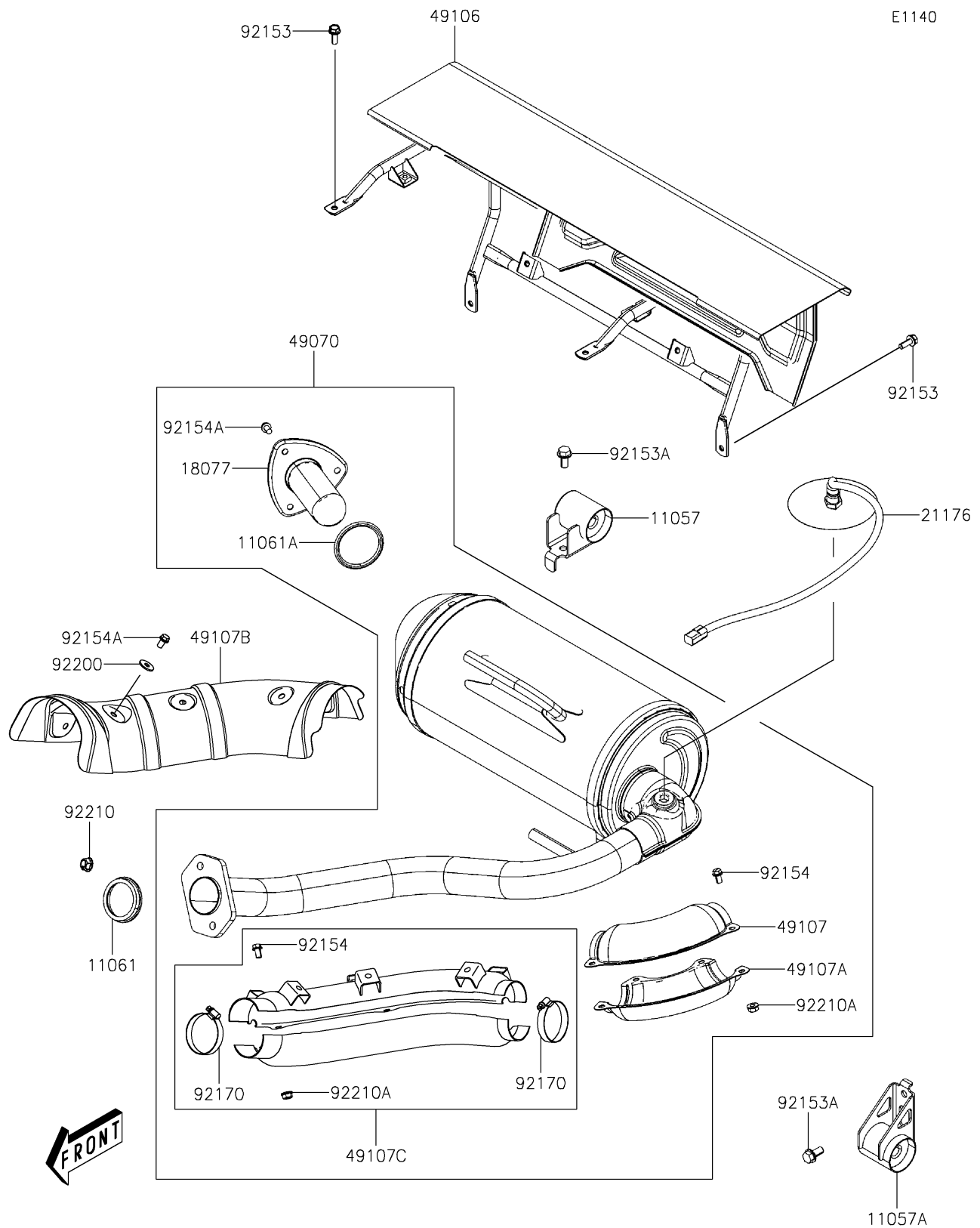


# 2022 MULE PRO-MX™ SE

## PARTS DIAGRAM

### Muffler(s)



# 2022 MULE PRO-MX™ SE

## PARTS LIST

Muffler(s)

**ITEM NAME**

**PART NUMBER**

**QUANTITY**

---