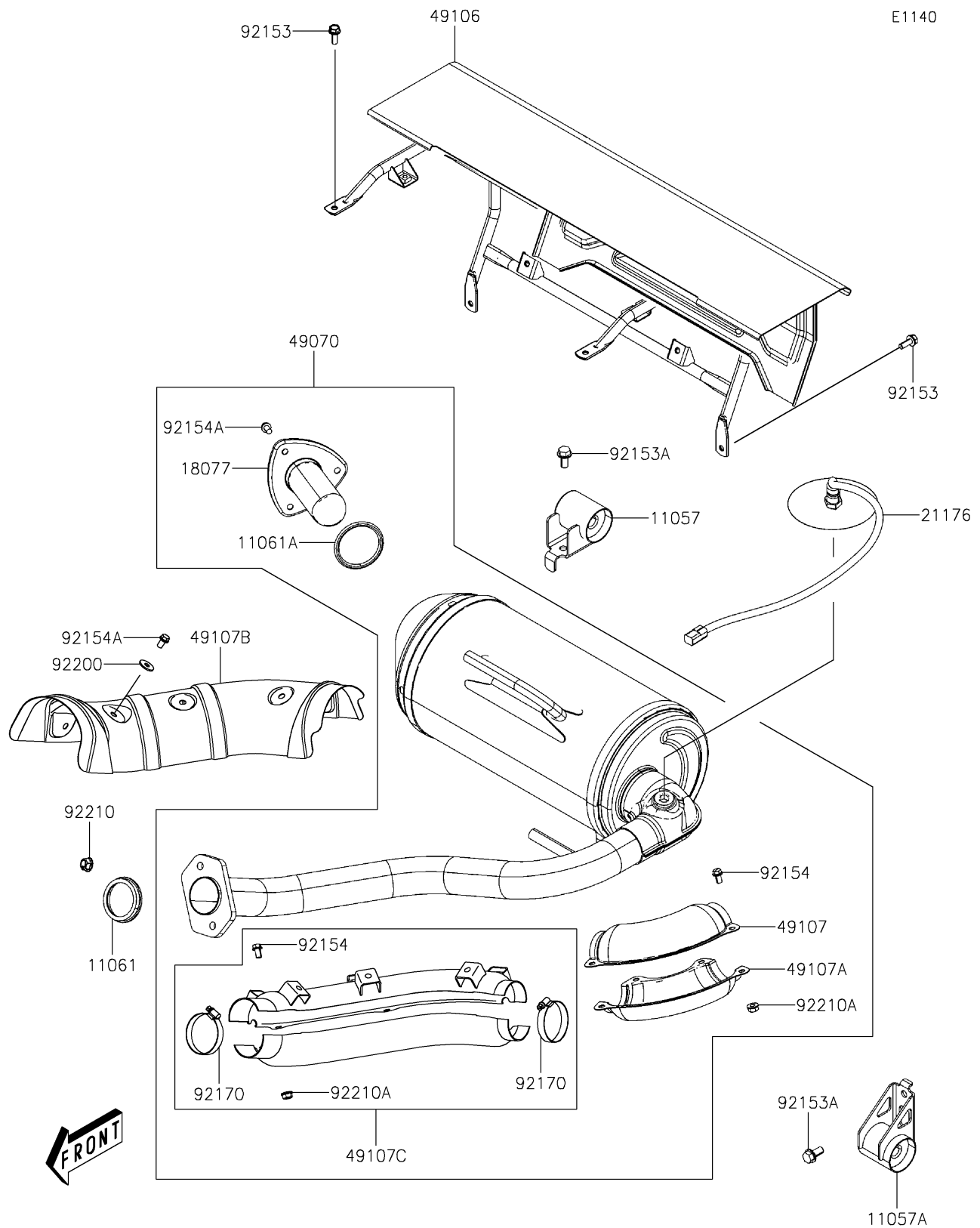


# 2022 MULE PRO-MX™

## PARTS DIAGRAM

### Muffler(s)



# 2022 MULE PRO-MX™

## PARTS LIST

### Muffler(s)

ITEM NAME	PART NUMBER	QUANTITY
-----------	-------------	----------

---