

# 2020 MULE PRO-MX™ EPS LE

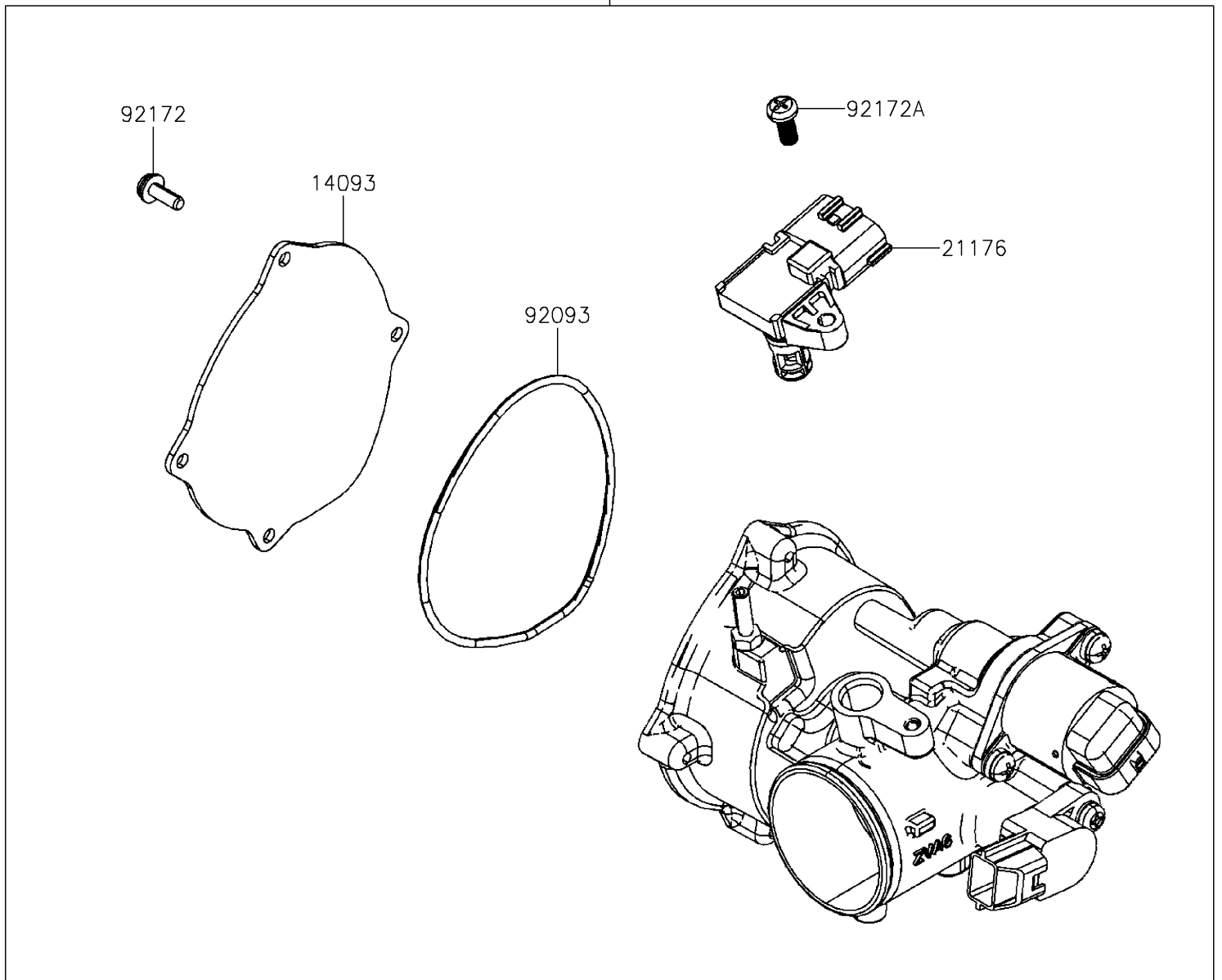
## PARTS DIAGRAM

### Throttle

E1510



16163



# 2020 MULE PRO-MX™ EPS LE

## PARTS LIST

### Throttle

ITEM NAME	PART NUMBER	QUANTITY
-----------	-------------	----------

---