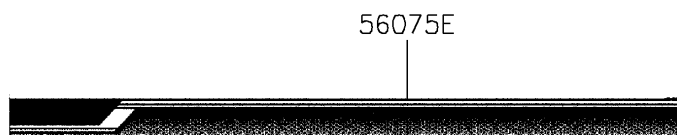
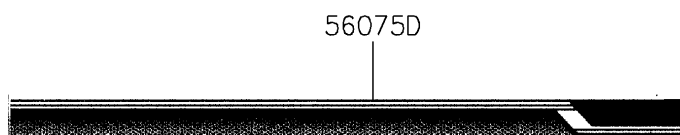
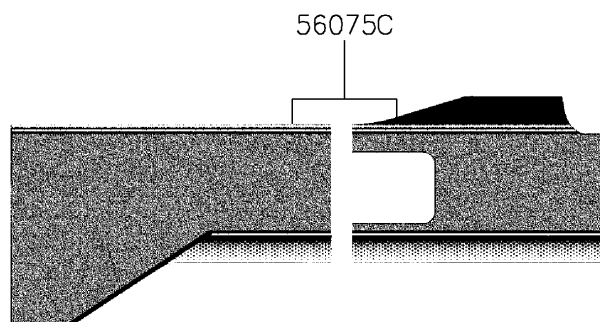
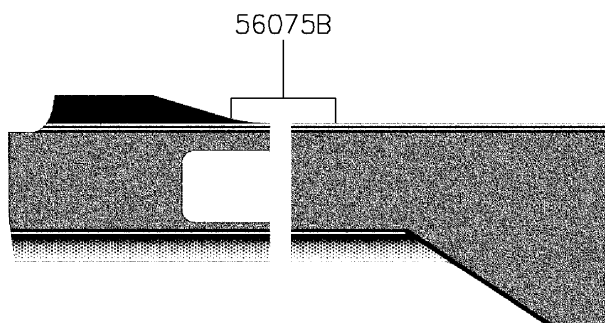
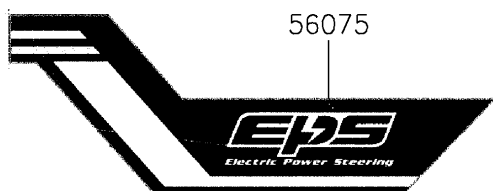
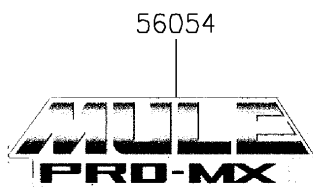
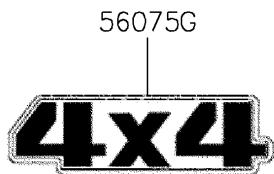


# 2020 MULE PRO-MX™ EPS

## PARTS DIAGRAM

Decals(White)(BKF)

F2861



# 2020 MULE PRO-MX™ EPS

## PARTS LIST

Decals(White)(BKF)

**ITEM NAME**

**PART NUMBER**

**QUANTITY**

---