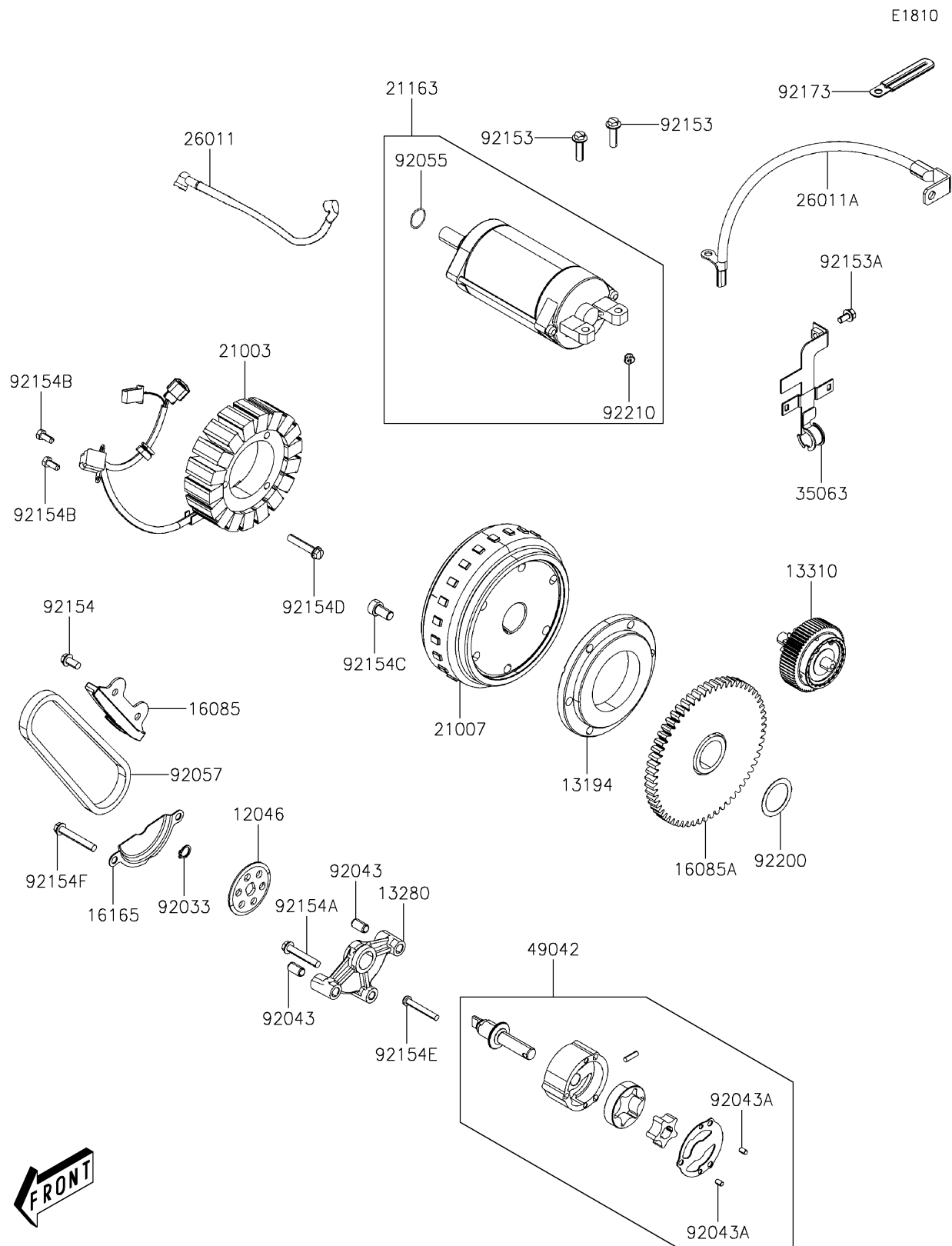


# 2020 MULE PRO-MX™ EPS

## PARTS DIAGRAM

### Generator



# 2020 MULE PRO-MX™ EPS

## PARTS LIST

### Generator

**ITEM NAME**

**PART NUMBER**

**QUANTITY**

---