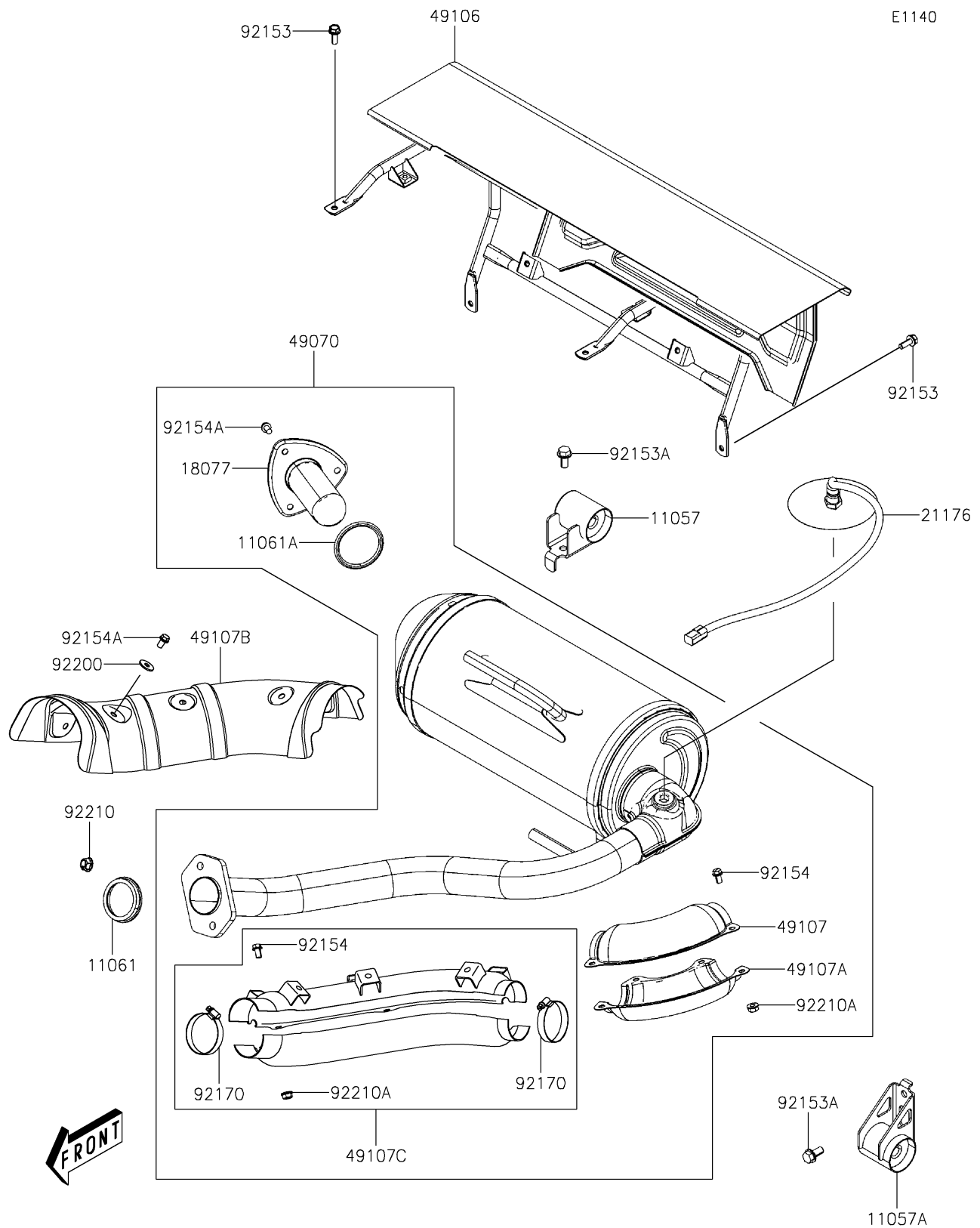


# 2020 MULE PRO-MX™ EPS

## PARTS DIAGRAM

### Muffler(s)



# 2020 MULE PRO-MX™ EPS

## PARTS LIST

Muffler(s)

ITEM NAME	PART NUMBER	QUANTITY
-----------	-------------	----------

---