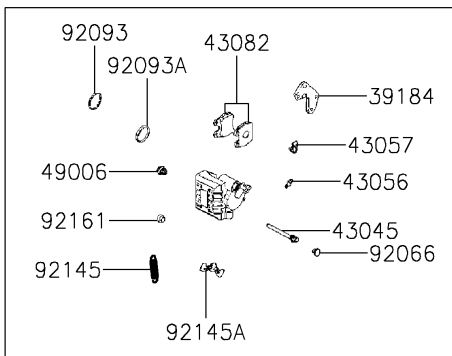
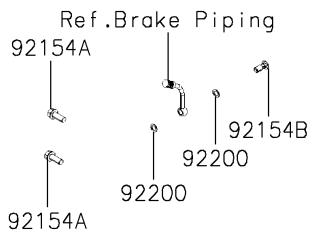
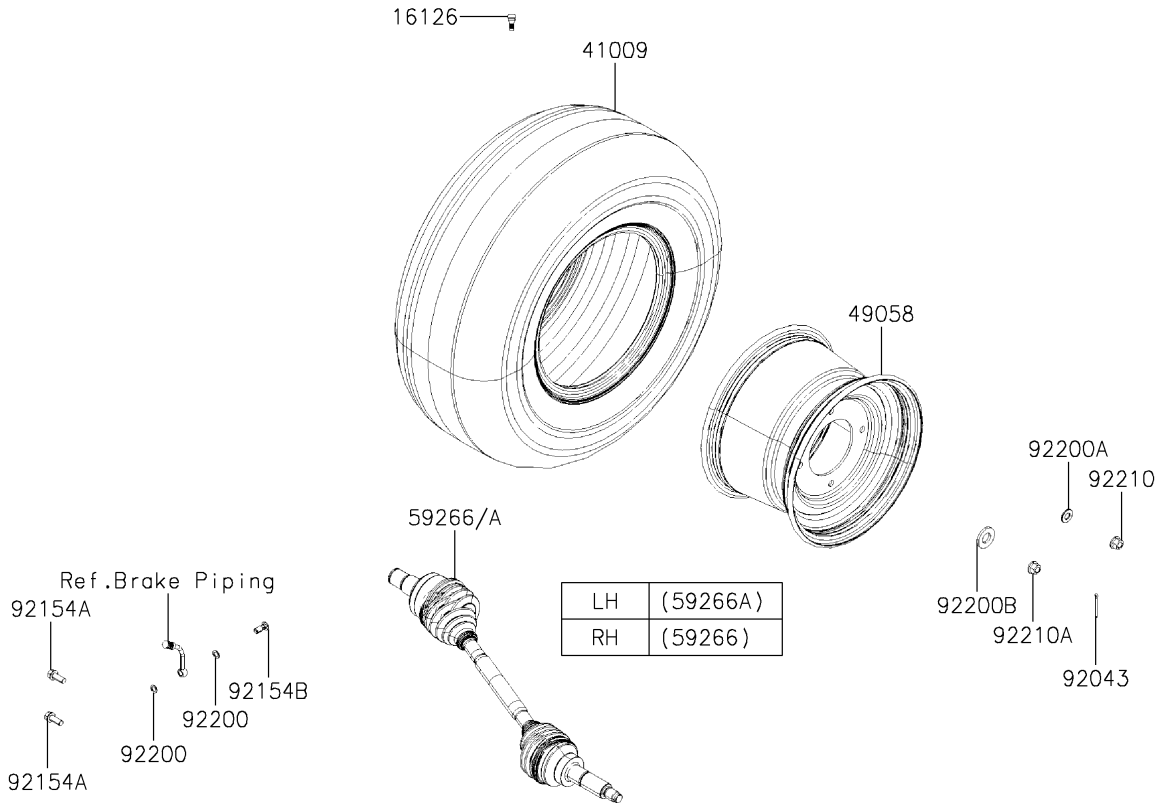


# 2019 MULE PRO-MX™

## PARTS DIAGRAM

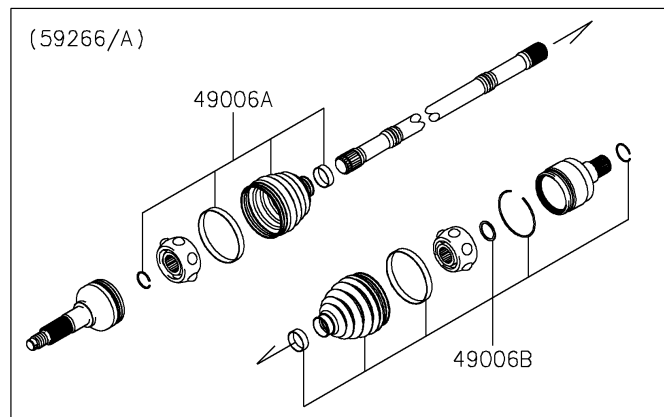
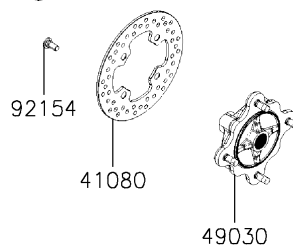
### Rear Hubs/Brakes

F2240



43041/A

LH	(43041A)
RH	(43041)



# 2019 MULE PRO-MX™

## PARTS LIST

### Rear Hubs/Brakes

ITEM NAME	PART NUMBER	QUANTITY
VALVE,RIM (Ref # 16126)	16126-Y001	2
BRACKET-ASSY (Ref # 39184)	39184-0044	2
TIRE,RR,25X10.00 R12 (Ref # 41009)	41009-Y009	2
DISC,BRAKE (Ref # 41080)	41080-Y009	2
CALIPER-ASSY,RR,RH,SILVER (Ref # 43041)	43041-Y009-934	1
CALIPER-ASSY,RR,LH,SILVER (Ref # 43041A)	43041-Y010-934	1
SHAFT-CALIPER (Ref # 43045)	43045-Y002	2
BREATHER-BRAKE (Ref # 43056)	43056-0006	2
CAP-BREATHER (Ref # 43057)	43057-Y002	2
PAD-ASSY-BRAKE,RR (Ref # 43082)	43082-Y009	2
BOOT,CALIPER (Ref # 49006)	49006-Y005	2
BOOT,RR,OUTSIDE (Ref # 49006A)	49006-Y011	2
BOOT,RR,INSIDE (Ref # 49006B)	49006-Y012	2
HUB,RR (Ref # 49030)	49030-Y004	2
WHEEL,RR,BLACK (Ref # 49058)	49058-Y005-935	2
JOINT-BALL,RR,RH (Ref # 59266)	59266-Y002	1
JOINT-BALL,RR,LH (Ref # 59266A)	59266-Y003	1
PIN,4X40 (Ref # 92043)	92043-Y043	2
PLUG (Ref # 92066)	92066-Y012	2
SEAL,PISTON (Ref # 92093)	92093-Y033	2
SEAL,PISTON (Ref # 92093A)	92093-Y034	2
SPRING,RETURN,47MM (Ref # 92145)	92145-1690	2
SPRING,PAD (Ref # 92145A)	92145-Y035	2
BOLT,10X23 (Ref # 92154)	92154-Y178	8
BOLT (Ref # 92154A)	92154-Y183	4
BOLT,OIL (Ref # 92154B)	92154-Y184	2
DAMPER (Ref # 92161)	92161-Y012	2
WASHER (Ref # 92200)	92200-Y015	4
WASHER,12MM (Ref # 92200A)	92200-Y089	8

# 2019 MULE PRO-MX™

## PARTS LIST

### Rear Hubs/Brakes

ITEM NAME	PART NUMBER	QUANTITY
WASHER,40X20.5X4.5 (Ref # 92200B)	92200-Y090	2
NUT (Ref # 92210)	92210-Y088	8
NUT,FLANGE,20MM (Ref # 92210A)	92210-Y099	2