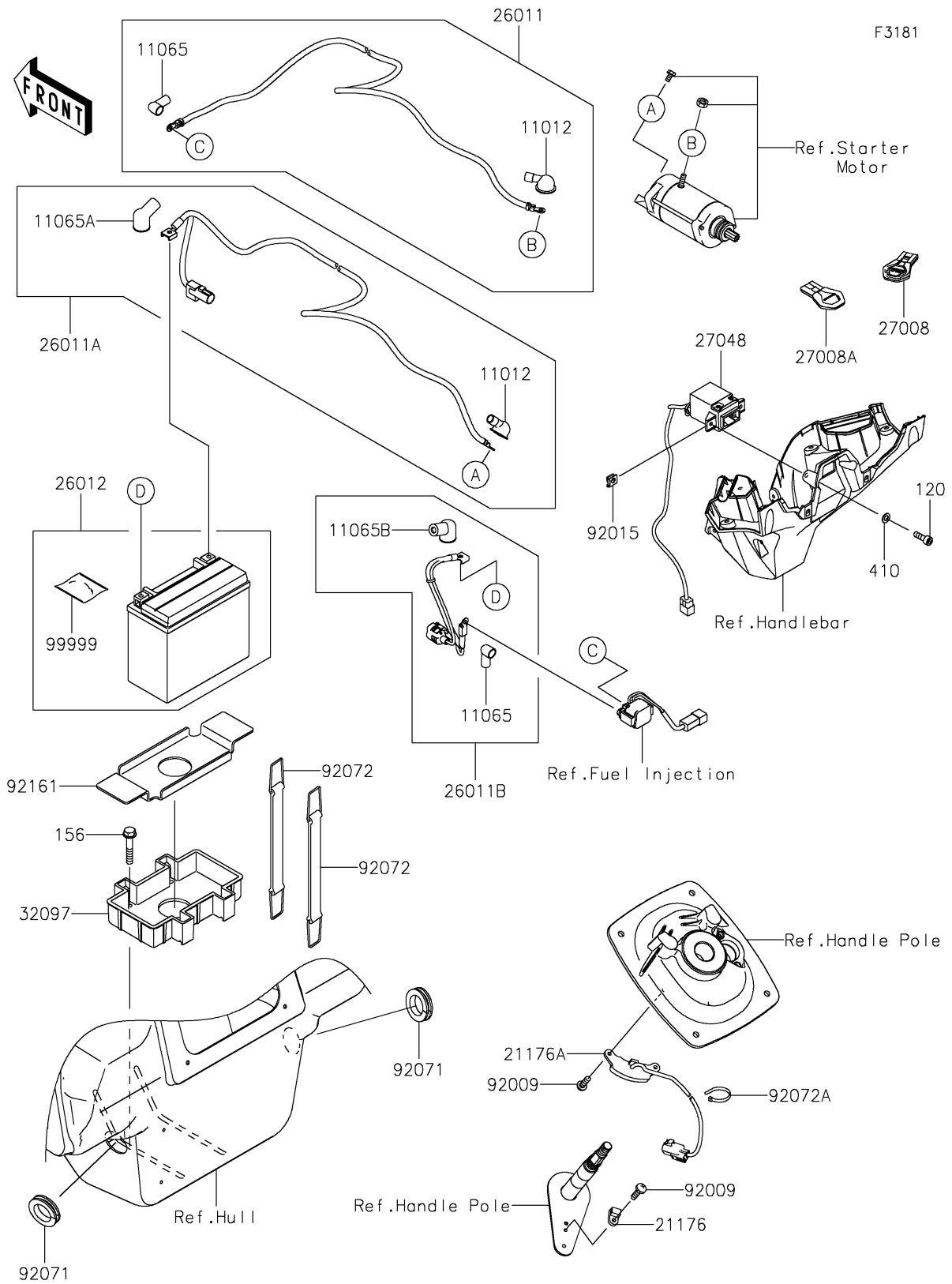


2025 Ultra 160LX

PARTS DIAGRAM

Electrical Equipment



2025 Ultra 160LX

PARTS LIST

Electrical Equipment

ITEM NAME

PART NUMBER

QUANTITY
