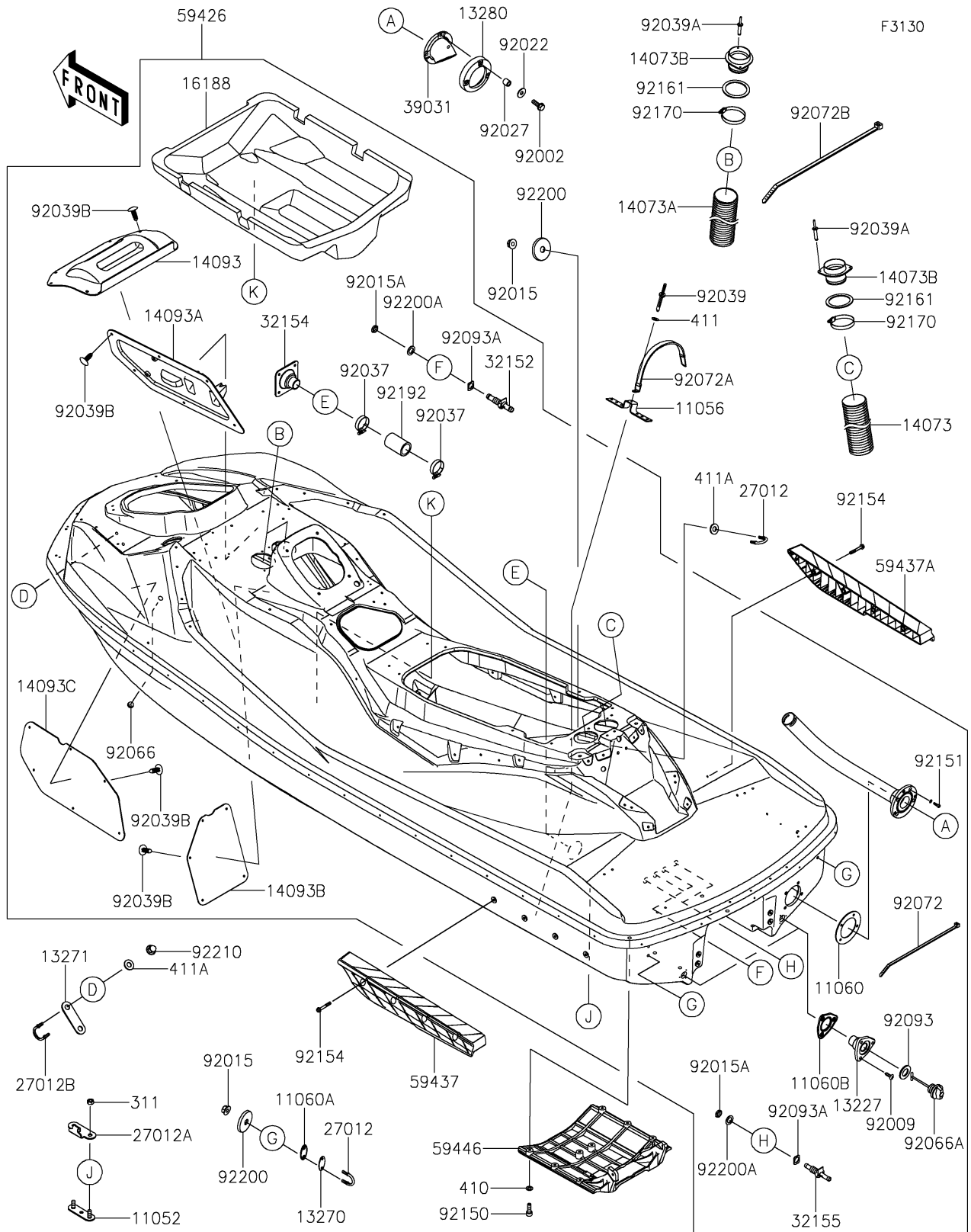


2025 JET SKI® ULTRA® 160LX

PARTS DIAGRAM Hull(ARSNN)



2025 JET SKI® ULTRA® 160LX

PARTS LIST
Hull(ARSNN)



ITEM NAME	PART NUMBER	QUANTITY
-----------	-------------	----------
