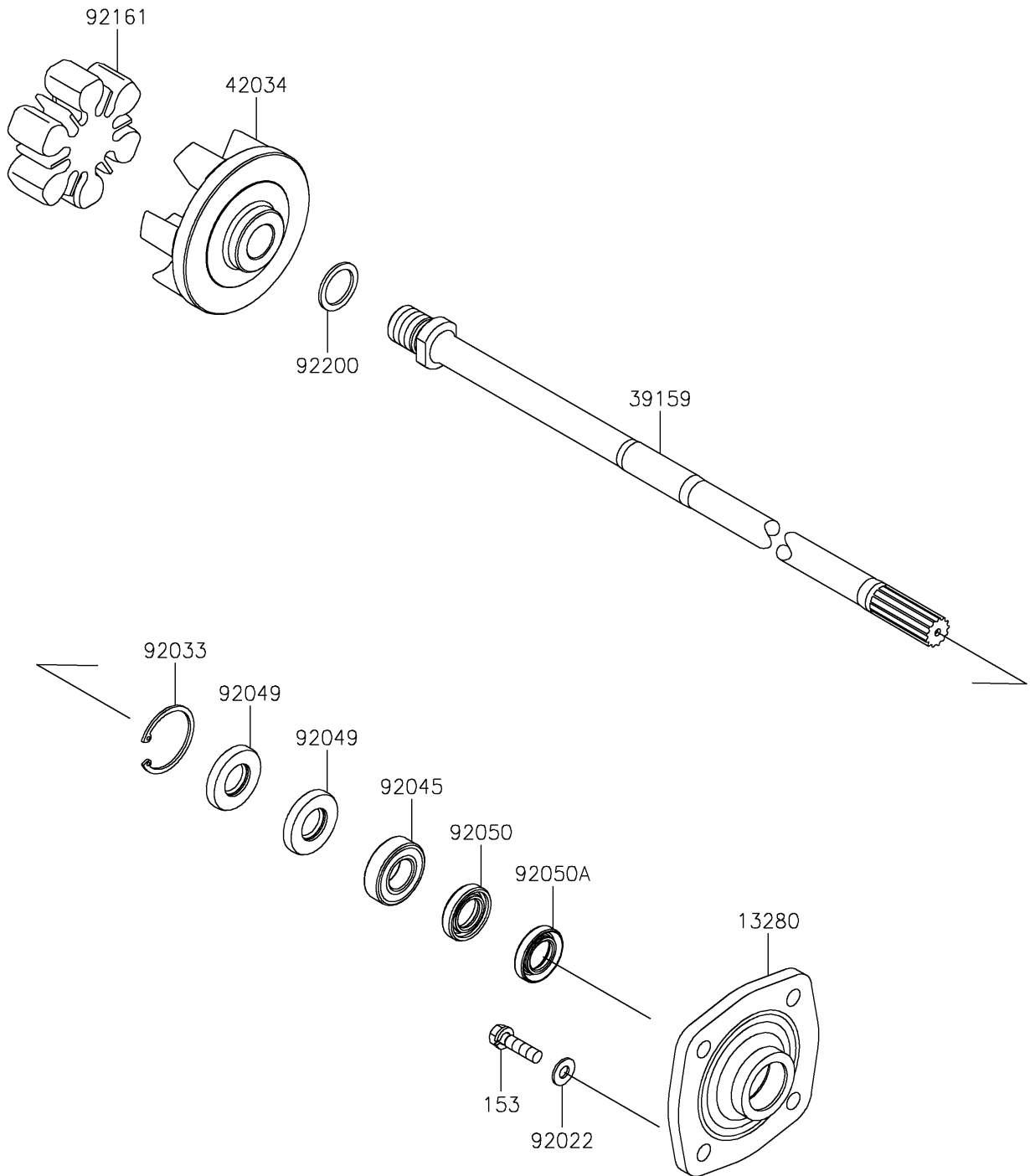


# 2026 JET SKI® ULTRA® 160LX

## PARTS DIAGRAM

### Drive Shaft

E3134



# 2026 JET SKI® ULTRA® 160LX

## PARTS LIST

### Drive Shaft



**ITEM NAME**

**PART NUMBER**

**QUANTITY**

---