

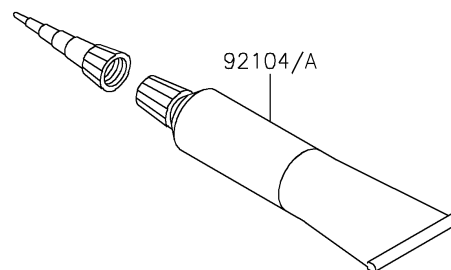
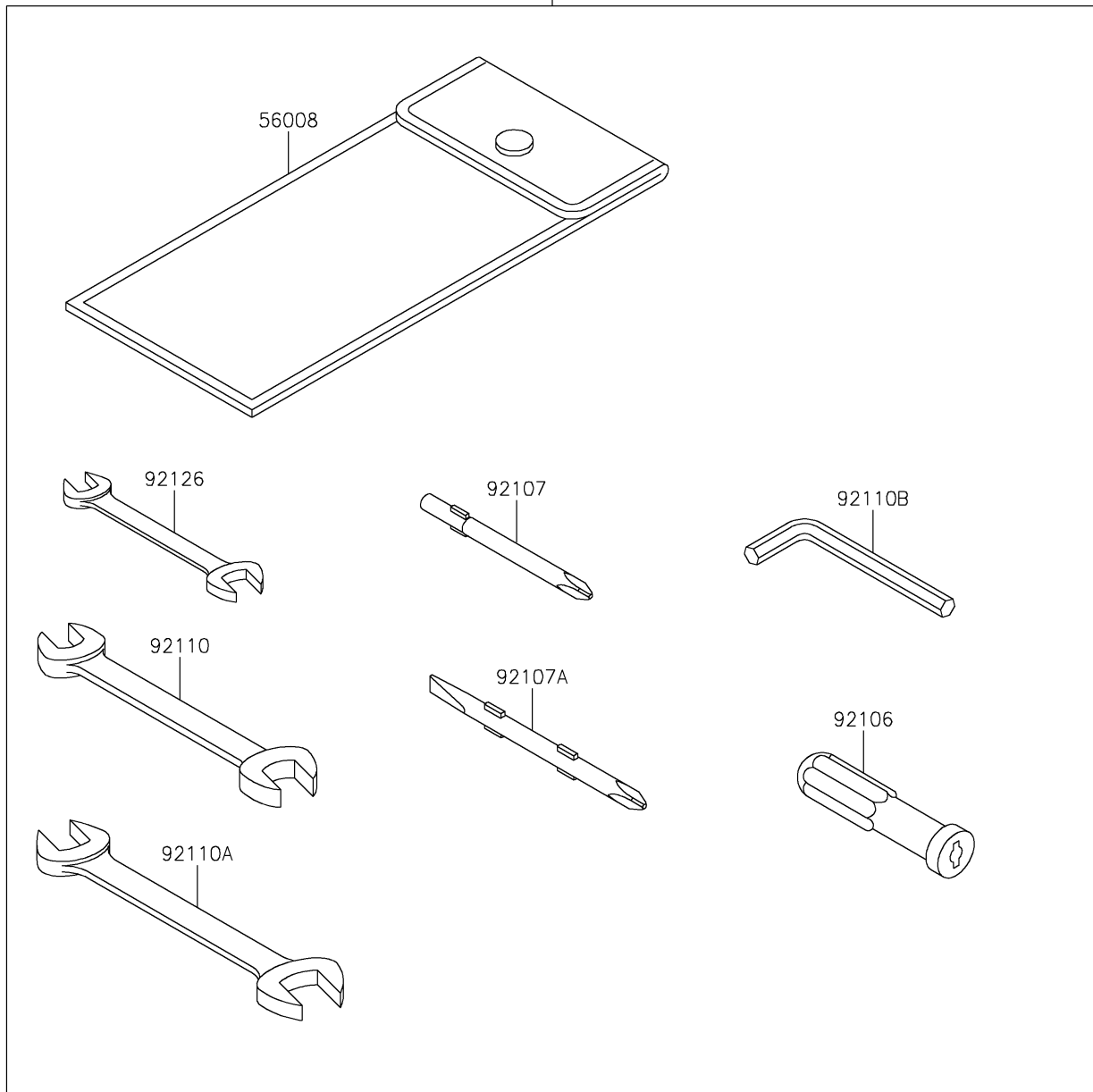
# 2024 VULCAN® 1700 VAQUERO® ABS

## PARTS DIAGRAM

### Owner's Tools

56007

F2810



# 2024 VULCAN<sup>®</sup> 1700 VAQUERO<sup>®</sup> ABS



## PARTS LIST Owner's Tools

ITEM NAME	PART NUMBER	QUANTITY
-----------	-------------	----------

---