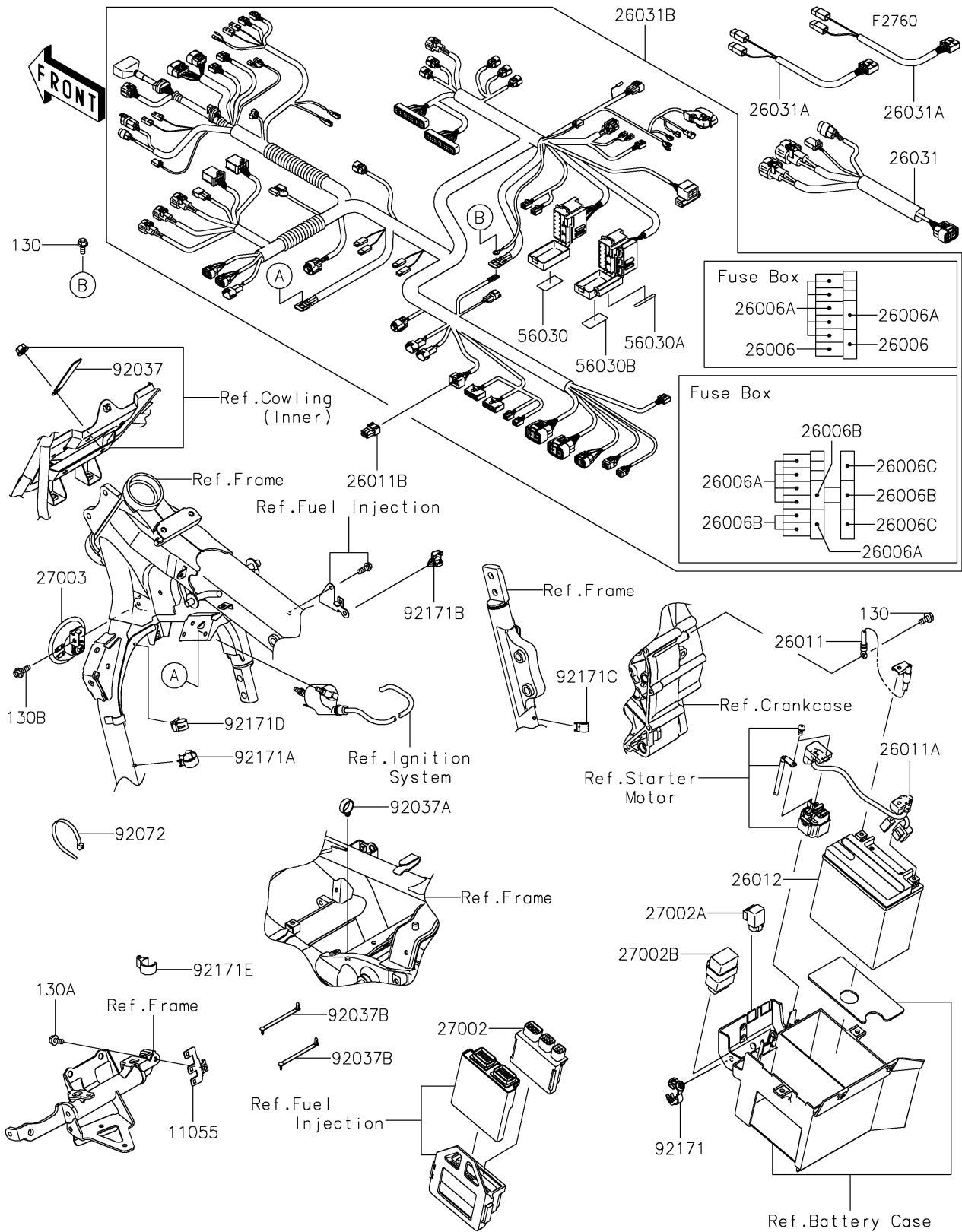


# 2024 Vulcan 1700 Vaquero ABS

## PARTS DIAGRAM

### Chassis Electrical Equipment



# 2024 Vulcan 1700 Vaquero ABS



## PARTS LIST

Chassis Electrical Equipment

| ITEM NAME | PART NUMBER | QUANTITY |
|-----------|-------------|----------|
|-----------|-------------|----------|