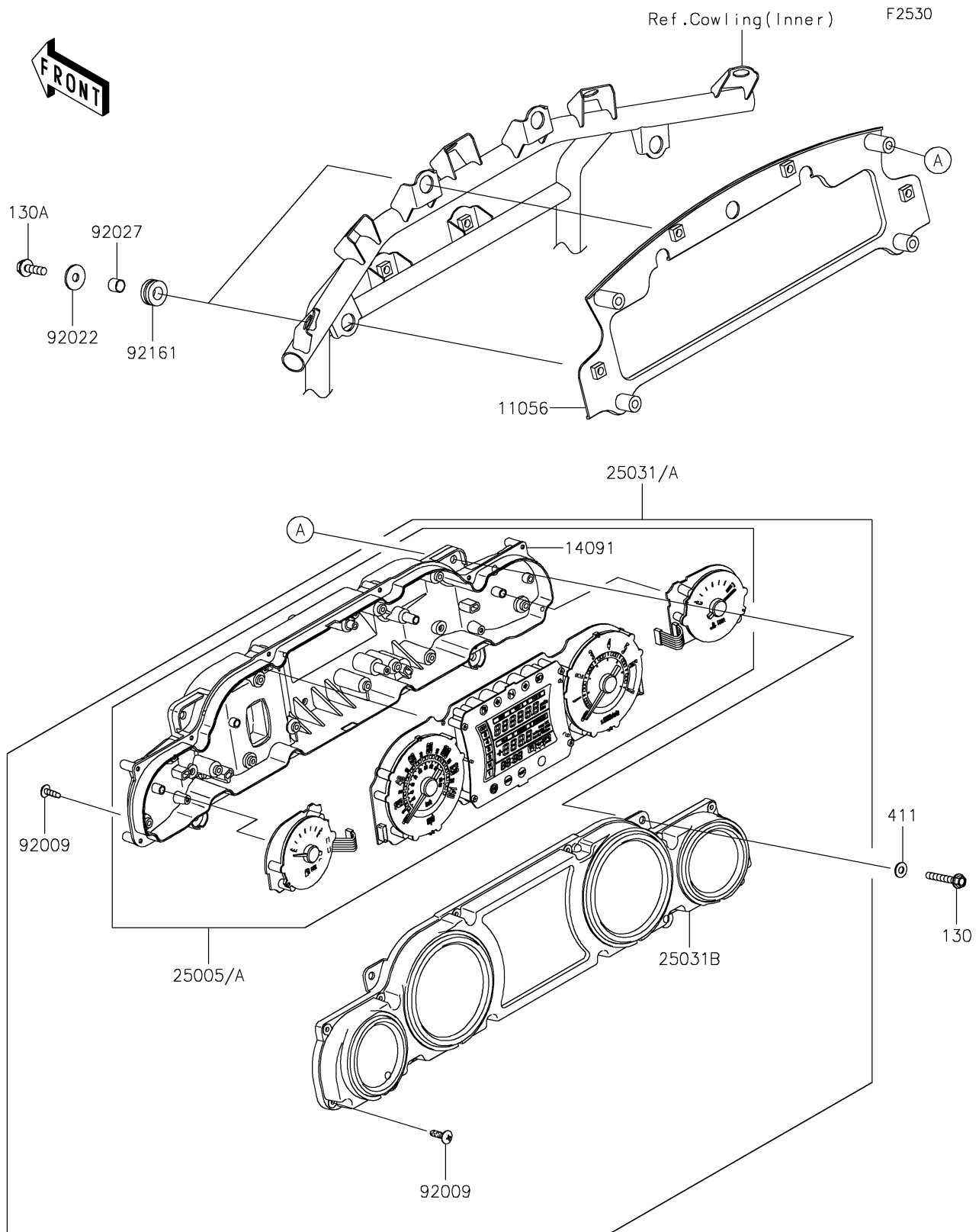


2024 VULCAN® 1700 VAQUERO® ABS

PARTS DIAGRAM

Meter(s)



2024 VULCAN® 1700 VAQUERO® ABS



PARTS LIST

Meter(s)

ITEM NAME	PART NUMBER	QUANTITY
-----------	-------------	----------
