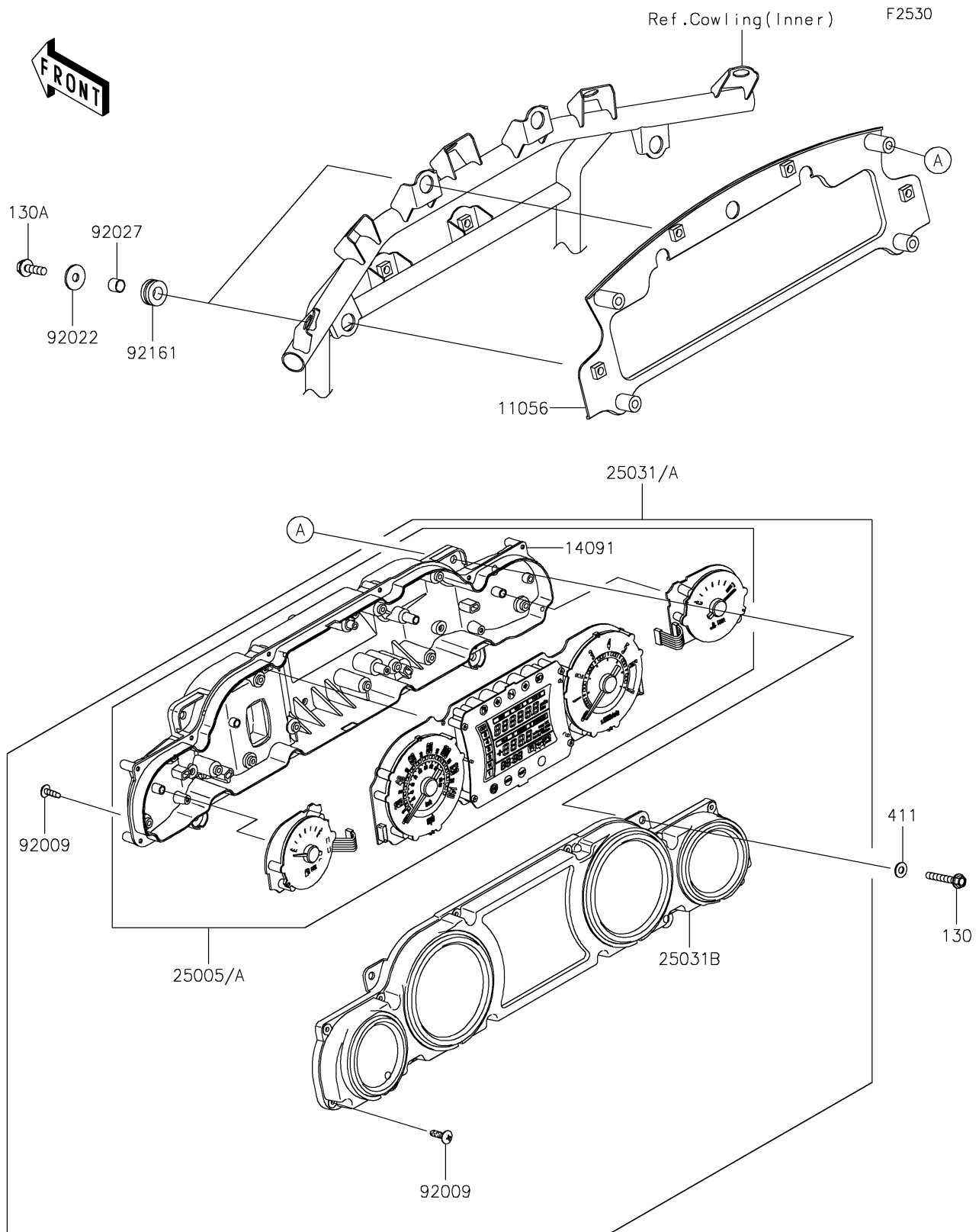


# 2023 Vulcan 1700 Vaquero ABS

## PARTS DIAGRAM

### Meter(s)



# 2023 Vulcan 1700 Vaquero ABS

## PARTS LIST

Meter(s)

ITEM NAME	PART NUMBER	QUANTITY
-----------	-------------	----------

---