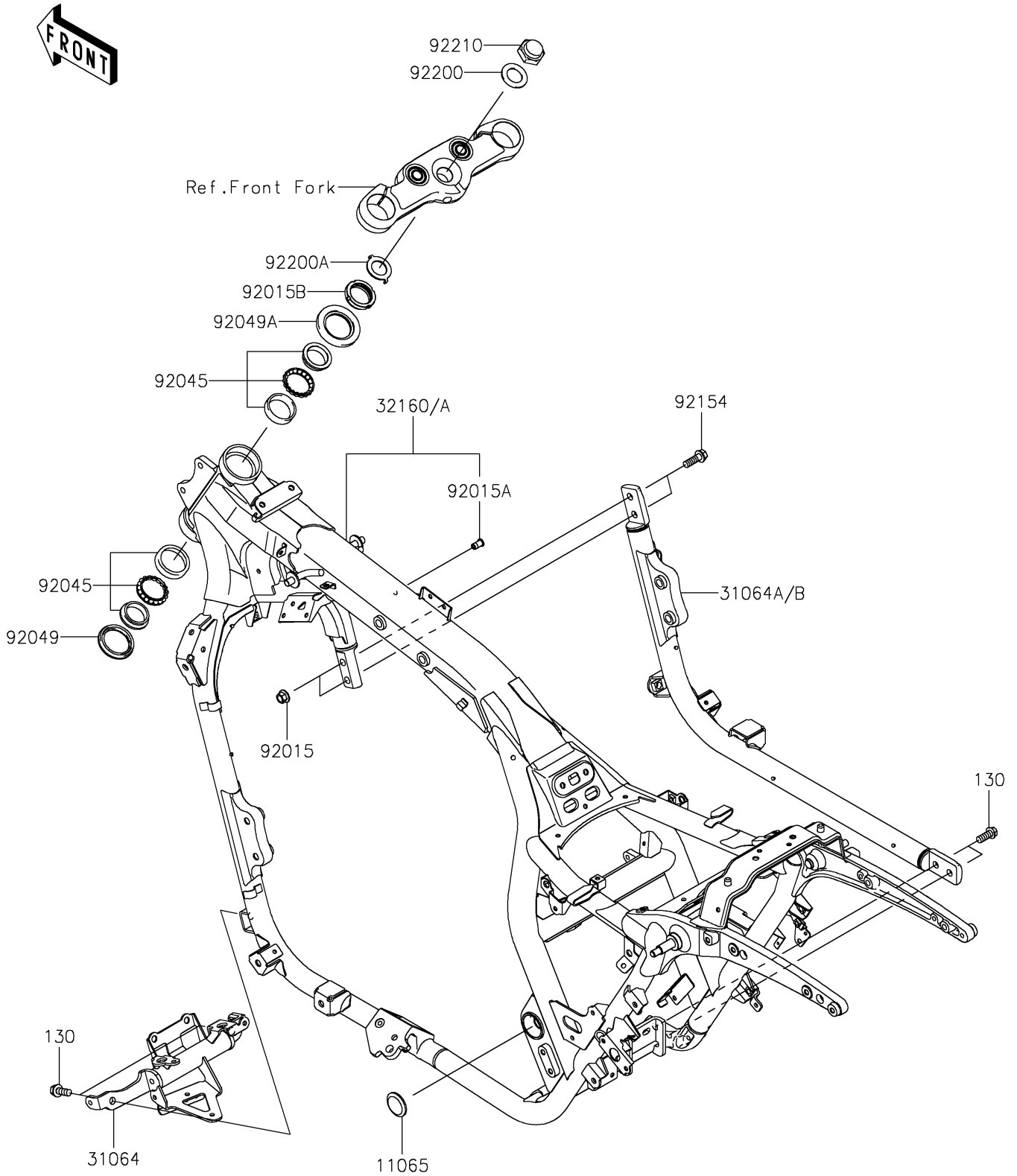


# 2022 Vulcan® 1700 Vaquero® ABS

## PARTS DIAGRAM

### Frame

F2120



# 2022 Vulcan® 1700 Vaquero® ABS



## PARTS LIST

### Frame

ITEM NAME	PART NUMBER	QUANTITY
-----------	-------------	----------

---