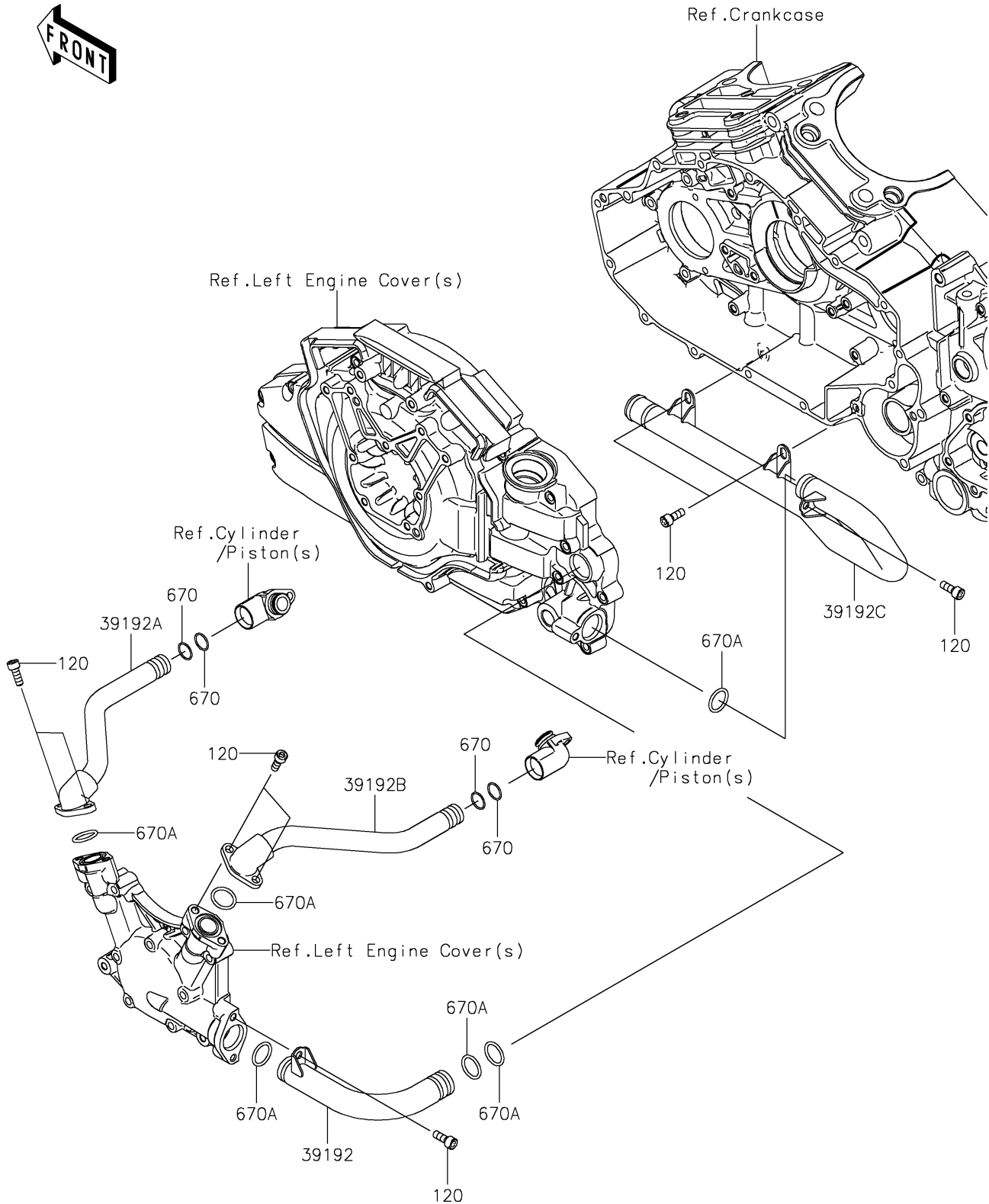


# 2024 VULCAN® 1700 VAQUERO® ABS

## PARTS DIAGRAM

### Water Pipe

E3037



# 2024 VULCAN® 1700 VAQUERO® ABS



## PARTS LIST

Water Pipe

ITEM NAME	PART NUMBER	QUANTITY
-----------	-------------	----------

---