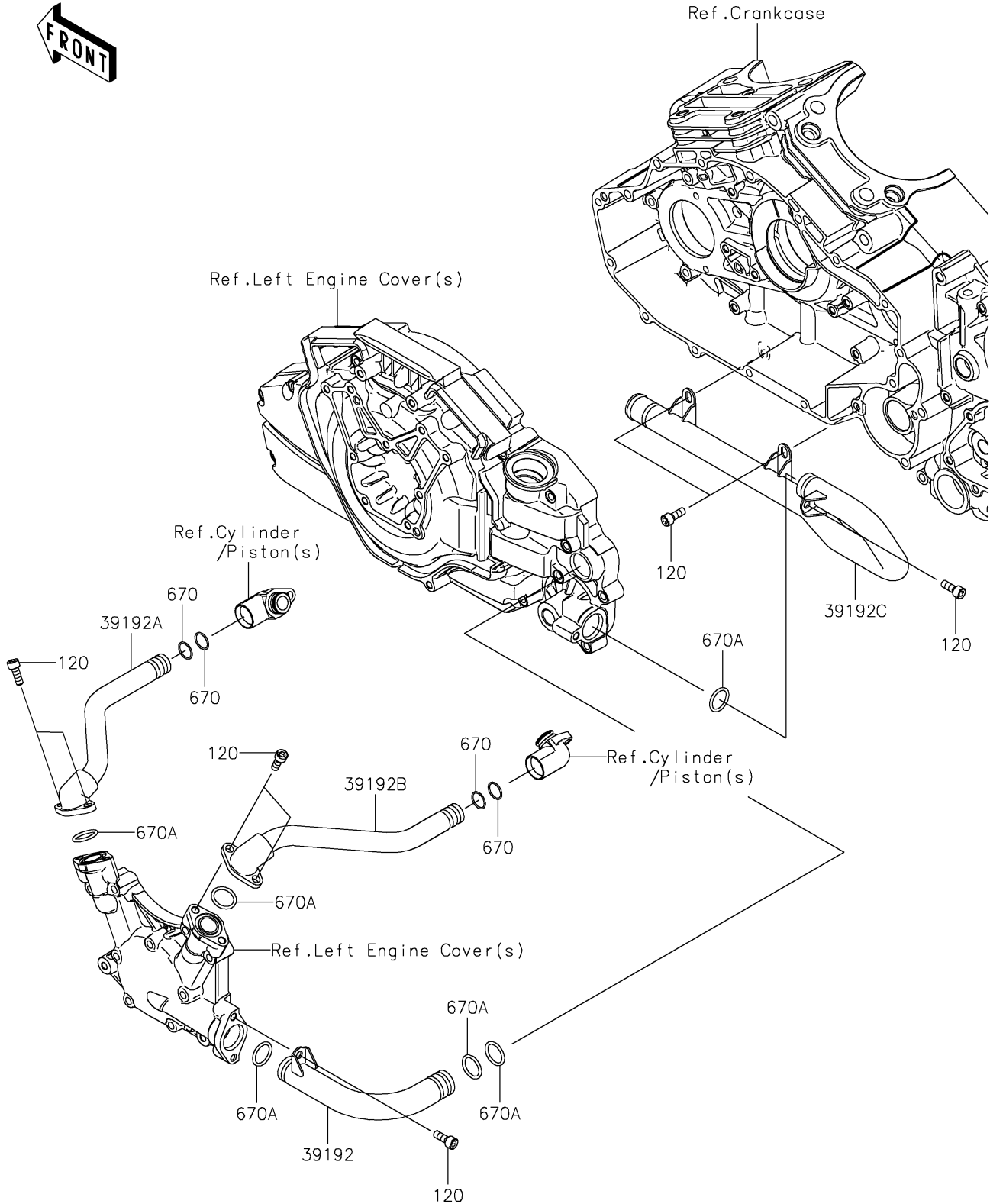


2022 Vulcan® 1700 Vaquero® ABS

PARTS DIAGRAM

Water Pipe

E3037



2022 Vulcan® 1700 Vaquero® ABS



PARTS LIST

Water Pipe

ITEM NAME	PART NUMBER	QUANTITY
-----------	-------------	----------
