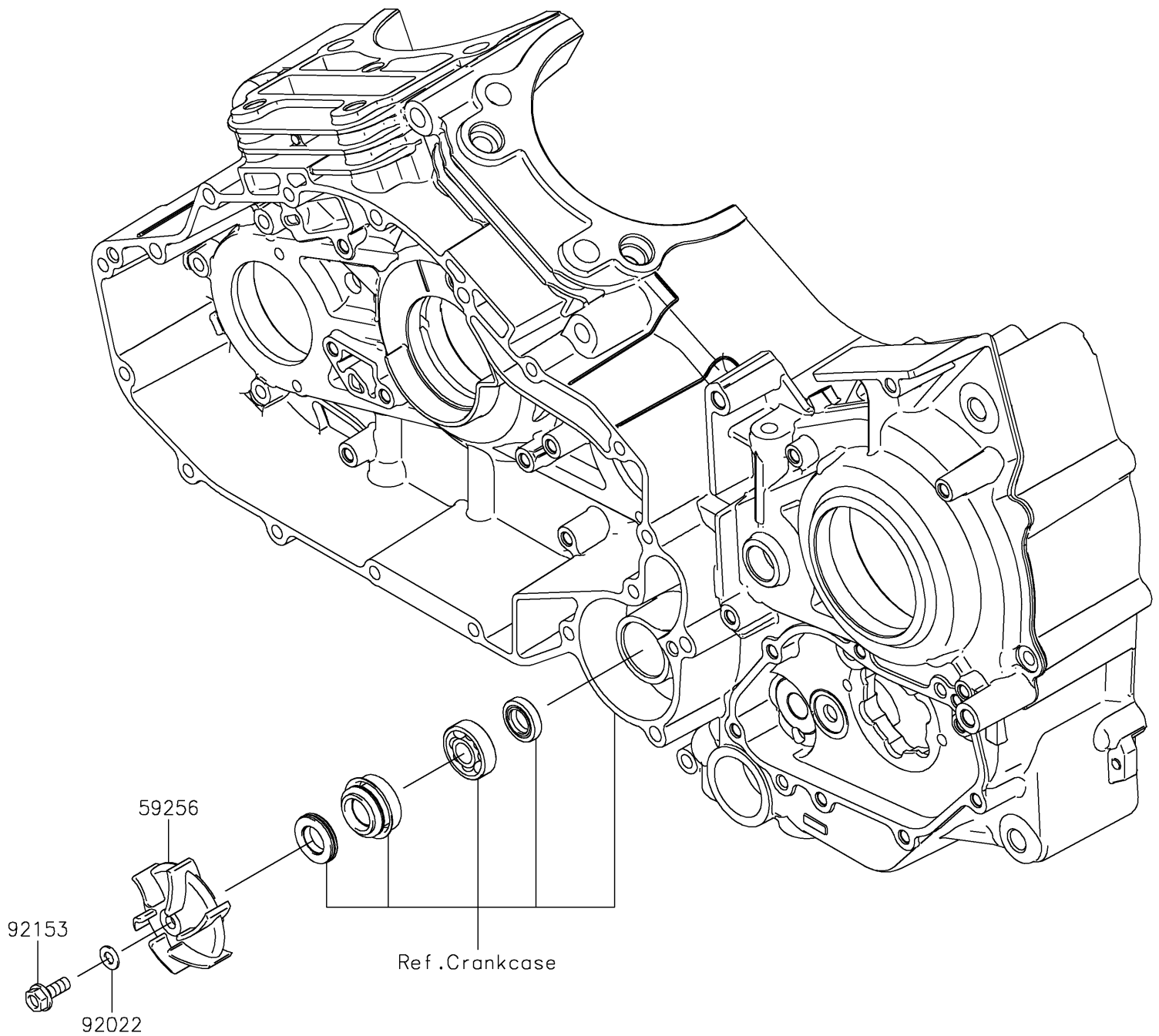


# 2024 Vulcan 1700 Vaquero ABS

## PARTS DIAGRAM

### Water Pump

E3031



# 2024 Vulcan 1700 Vaquero ABS

## PARTS LIST

### Water Pump

ITEM NAME	PART NUMBER	QUANTITY
-----------	-------------	----------

---