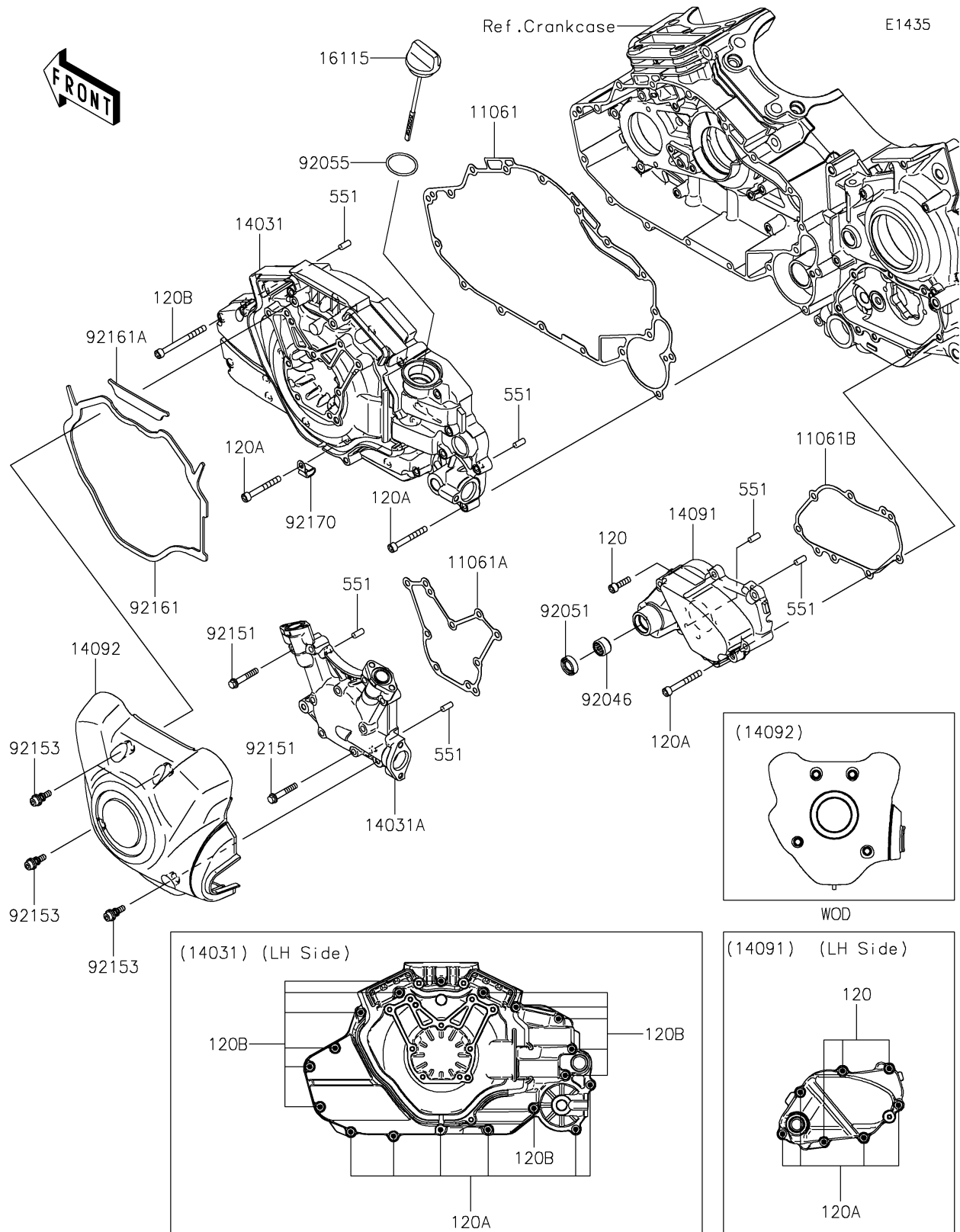


2022 Vulcan® 1700 Vaquero® ABS

PARTS DIAGRAM Left Engine Cover(s)



2022 Vulcan® 1700 Vaquero® ABS



PARTS LIST

Left Engine Cover(s)

ITEM NAME	PART NUMBER	QUANTITY
-----------	-------------	----------
