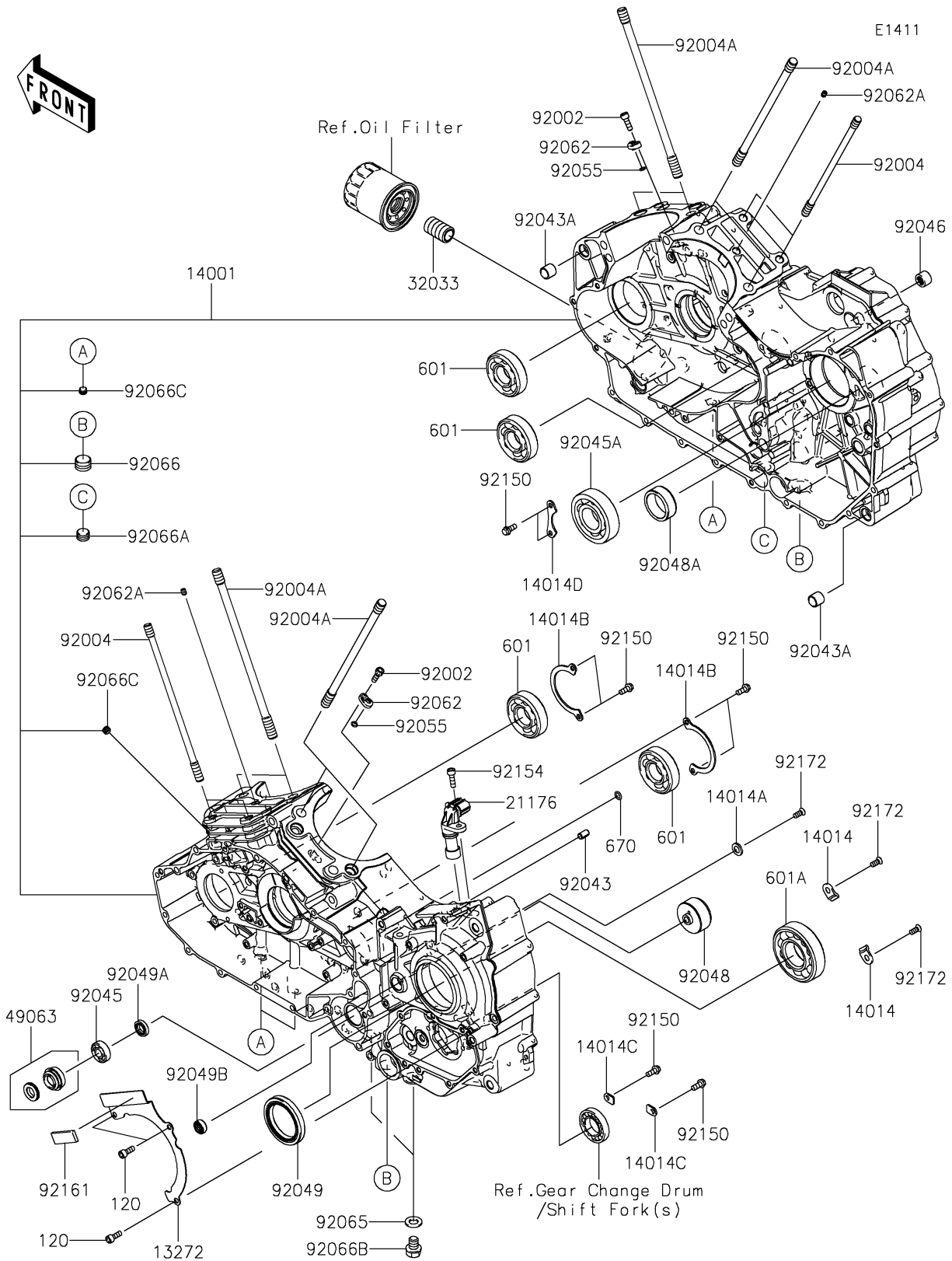


# 2022 Vulcan® 1700 Vaquero® ABS

## PARTS DIAGRAM

### Crankcase



# 2022 Vulcan® 1700 Vaquero® ABS



## PARTS LIST

### Crankcase

ITEM NAME	PART NUMBER	QUANTITY
-----------	-------------	----------

---