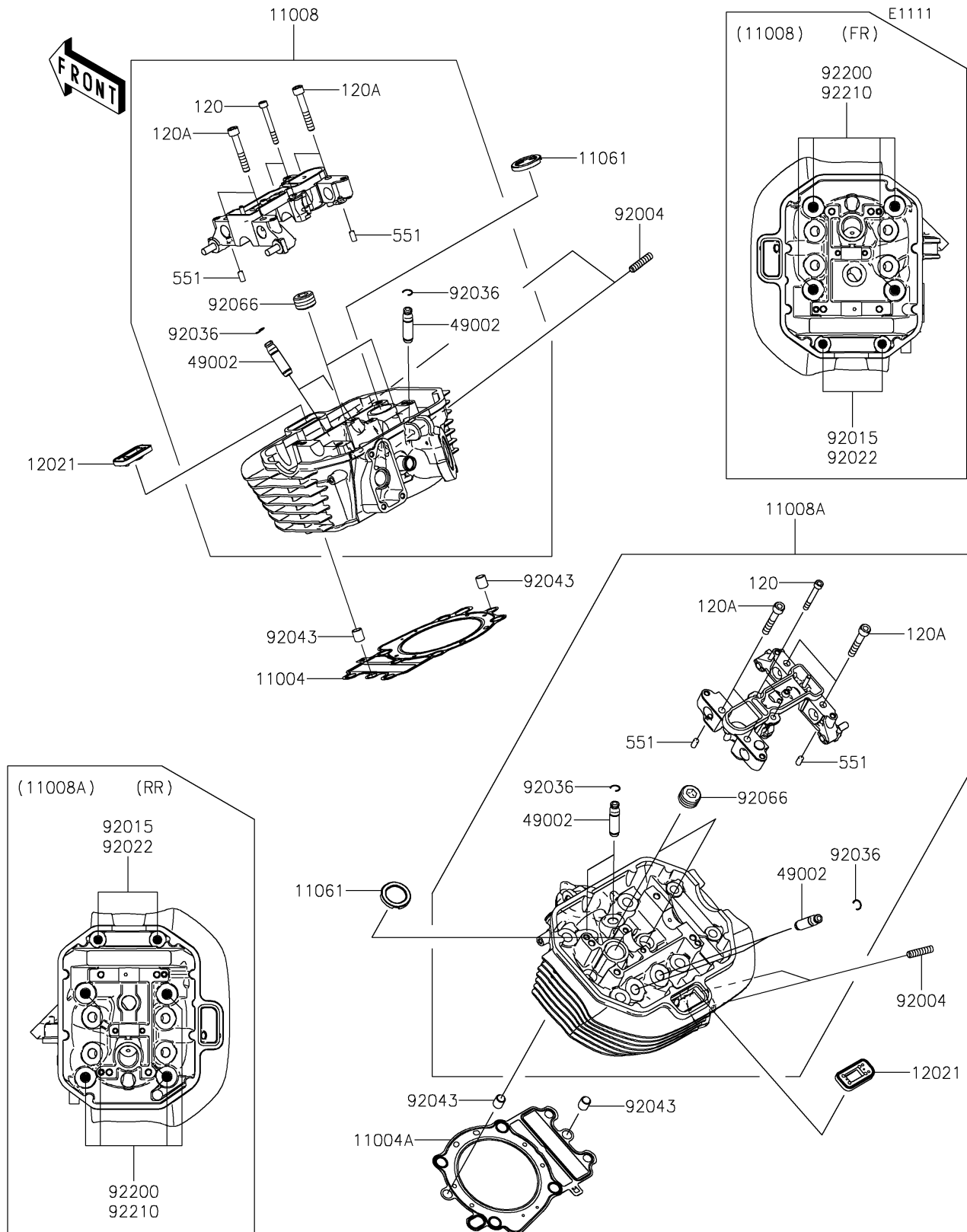


2023 VULCAN® 1700 VAQUERO® ABS

Kawasaki
Let the Good Times Roll®

PARTS DIAGRAM

Cylinder Head



2023 VULCAN® 1700 VAQUERO® ABS

Kawasaki
Let the Good Times Roll®

PARTS LIST

Cylinder Head

| ITEM NAME | PART NUMBER | QUANTITY |
|--------------------------------------|-------------|----------|
| GASKET-HEAD,FR (Ref # 11004) | 11004-0076 | 1 |
| GASKET-HEAD,RR (Ref # 11004A) | 11004-0077 | 1 |
| HEAD-COMP-CYLINDER,FR (Ref # 11008) | 11008-0922 | 1 |
| HEAD-COMP-CYLINDER,RR (Ref # 11008A) | 11008-0924 | 1 |
| GASKET,PLUG HOLE (Ref # 11061) | 11061-0409 | 2 |
| VALVE-ASSY-REED (Ref # 12021) | 12021-0017 | 2 |
| GUIDE-VALVE (Ref # 49002) | 49002-0707 | 8 |
| STUD,8X20 (Ref # 92004) | 92004-0046 | 4 |
| NUT,FLANGED,10MM (Ref # 92015) | 92015-077 | 4 |
| WASHER,10.2X20X1.5 (Ref # 92022) | 92022-3742 | 4 |
| RING-SNAP,VALVE GUIDE (Ref # 92036) | 92036-023 | 8 |
| PIN,12X14 (Ref # 92043) | 92043-0963 | 4 |
| PLUG,PT1/2X12.5 (Ref # 92066) | 92066-0002 | 4 |
| WASHER,12.3X25X3.2 (Ref # 92200) | 92200-0422 | 8 |
| NUT,12MM (Ref # 92210) | 92210-0546 | 8 |
| BOLT-SOCKET,6X50 (Ref # 120) | 120Q0650 | 4 |
| BOLT-SOCKET,8X50 (Ref # 120A) | 120Q0850 | 8 |
| PIN-DOWEL,6X12 (Ref # 551) | 551A0612 | 4 |