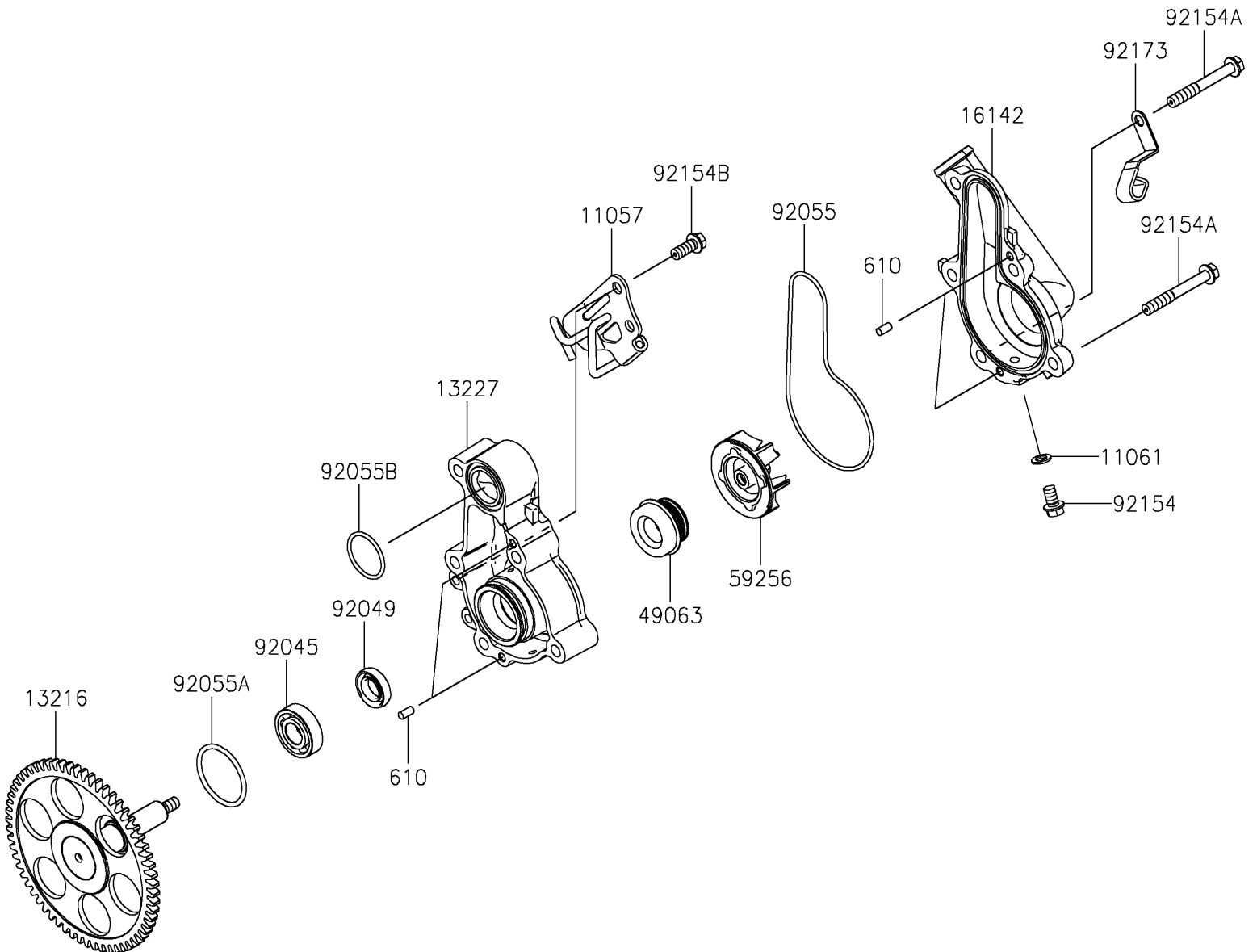


2021 Z400

PARTS DIAGRAM

Water Pump

E3031



2021 Z400

PARTS LIST

Water Pump

ITEM NAME

PART NUMBER

QUANTITY
