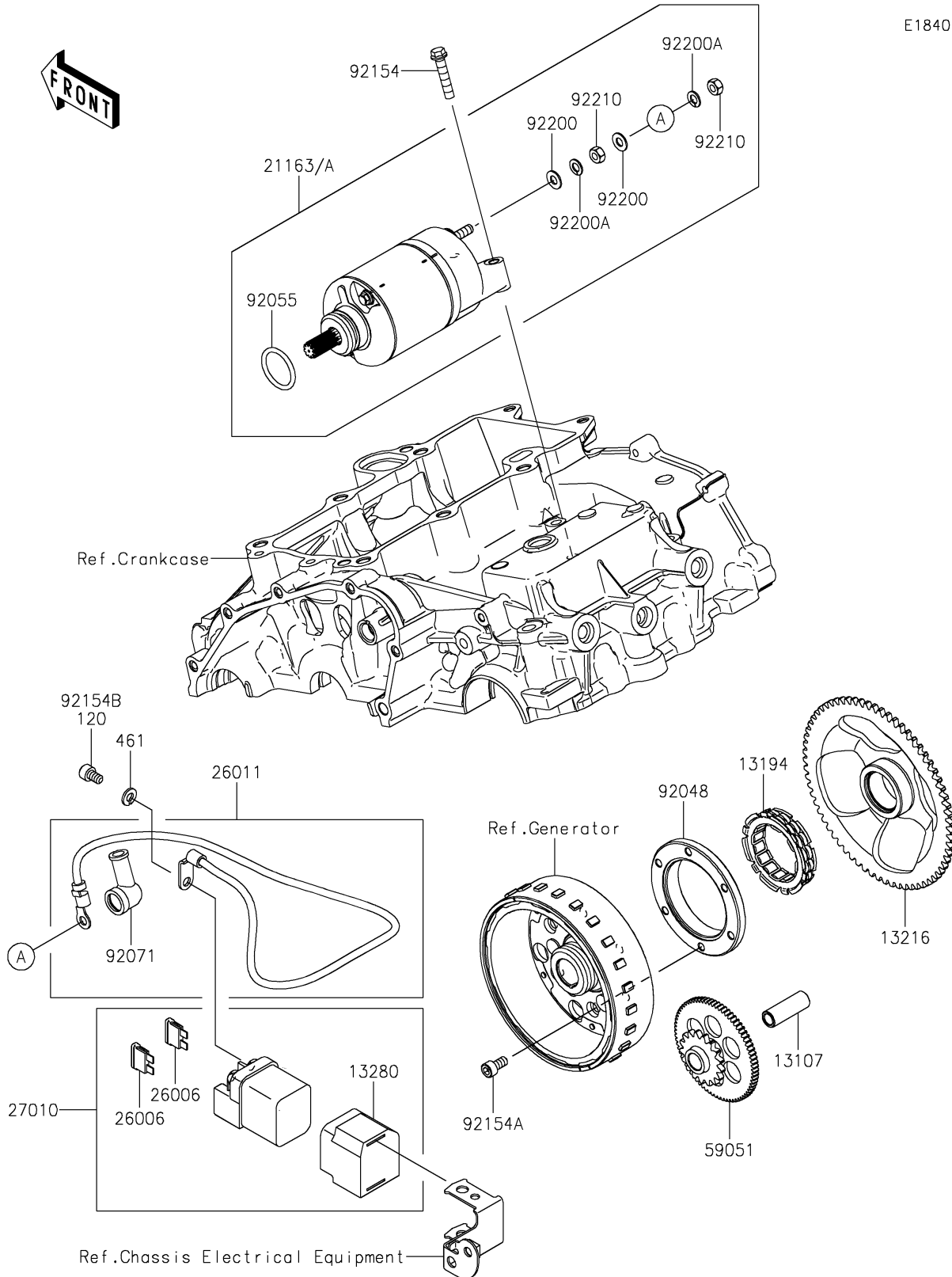


2022 Z400 ABS

PARTS DIAGRAM

Starter Motor

E1840



2022 Z400 ABS

PARTS LIST

Starter Motor

| ITEM NAME | PART NUMBER | QUANTITY |
|---|-------------|----------|
| SHAFT,IDLER (Ref # 13107) | 13107-0861 | 1 |
| CLUTCH-ONEWAY (Ref # 13194) | 13194-1096 | 1 |
| GEAR-COMP,ONEWAY CLUTCH,67T (Ref # 13216) | 13216-0895 | 1 |
| HOLDER (Ref # 13280) | 13280-0301 | 1 |
| STARTER-ELECTRIC (Ref # 21163) | 21163-0782 | 1 |
| FUSE,BLADE,30A,GREEN (Ref # 26006) | 26006-1006 | 2 |
| WIRE-LEAD,STARTER (Ref # 26011) | 26011-1867 | 1 |
| SWITCH,MAGNETIC (Ref # 27010) | 27010-0099 | 1 |
| GEAR-SPUR,IDLER (Ref # 59051) | 59051-0799 | 1 |
| RACE (Ref # 92048) | 92048-0024 | 1 |
| RING-O (Ref # 92055) | 92055-0822 | 1 |
| GROMMET (Ref # 92071) | 92071-0787 | 1 |
| BOLT,FLANGED,6X30 (Ref # 92154) | 92154-1773 | 2 |
| BOLT,SOCKET,6X12 (Ref # 92154A) | 92154-1889 | 6 |
| WASHER (Ref # 92200) | 92200-1678 | 2 |
| WASHER (Ref # 92200A) | 92200-1679 | 2 |
| NUT (Ref # 92210) | 92210-1664 | 2 |
| BOLT-SOCKET,6X10 (Ref # 120) | 120CA0610 | 2 |
| WASHER-SPRING,6MM (Ref # 461) | 461DA0600 | 2 |