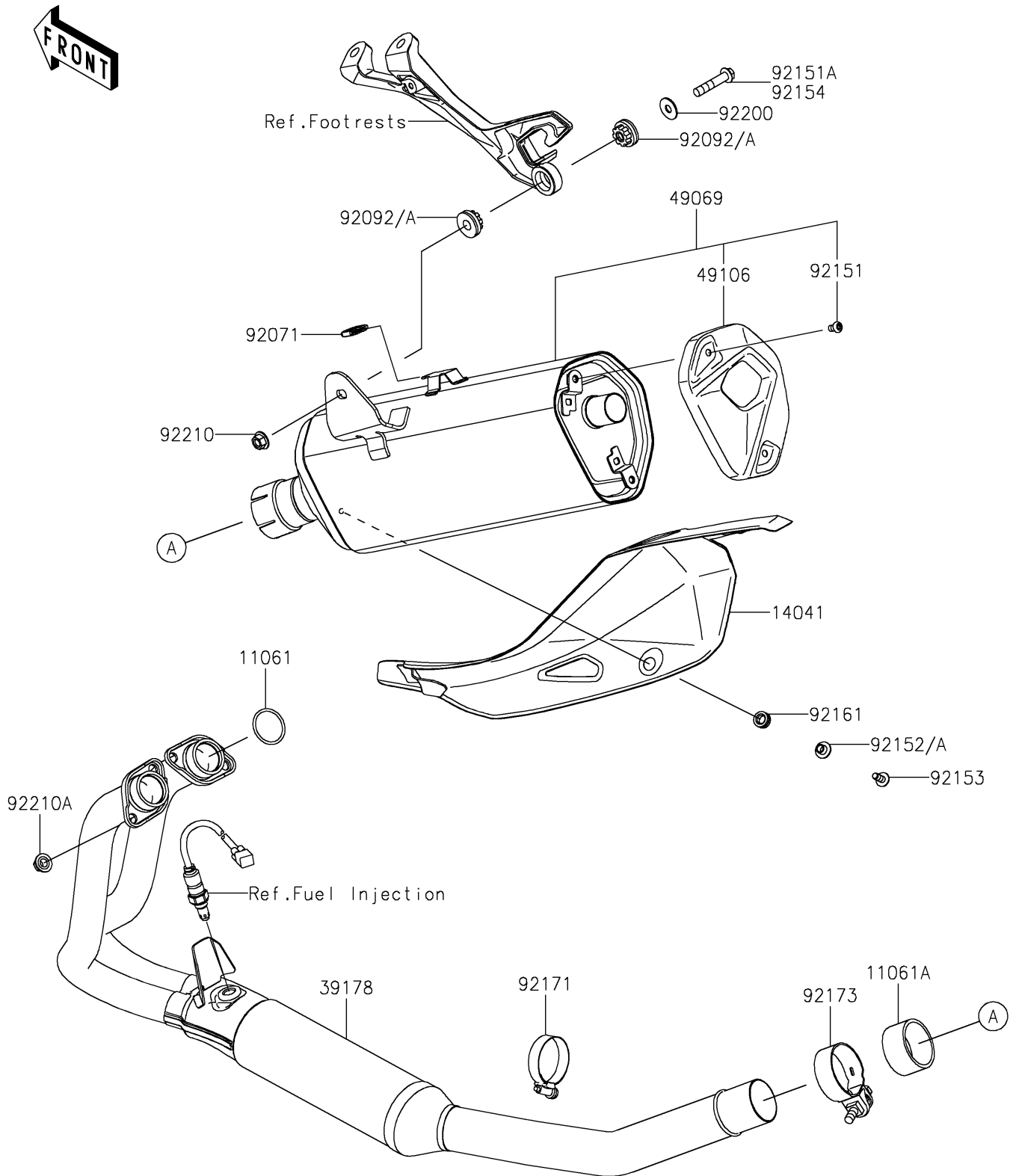


# 2021 Z400

## PARTS DIAGRAM

### Muffler(s)

E1140



# 2021 Z400

## PARTS LIST

### Muffler(s)

| ITEM NAME                                     | PART NUMBER | QUANTITY |
|-----------------------------------------------|-------------|----------|
| GASKET,EXHAUST PIPE (Ref # 11061)             | 11061-1249  | 2        |
| GASKET,EXHAUST PIPE CONNECTING (Ref # 11061A) | 11061-1266  | 1        |
| COVER-COMP,MUFFLER (Ref # 14041)              | 14041-0630  | 1        |
| MANIFOLD-COMP-EXHAUST (Ref # 39178)           | 39178-0348  | 1        |
| MUFFLER-ASSY (Ref # 49069)                    | 49069-0846  | 1        |
| COVER-MUFFLER,END (Ref # 49106)               | 49106-0827  | 1        |
| GROMMET (Ref # 92071)                         | 92071-0786  | 1        |
| BUSHING-RUBBER (Ref # 92092)                  | 92092-0018  | 2        |
| BOLT,SOCKET,6X10 (Ref # 92151)                | 92151-1449  | 2        |
| BOLT,FLANGED,8X40 (Ref # 92151A)              | 92151-1532  | 1        |
| COLLAR,6.3X8.3X16 (Ref # 92152)               | 92152-0286  | 1        |
| BOLT,SOCKET,6X16 (Ref # 92153)                | 92153-0817  | 1        |
| DAMPER (Ref # 92161)                          | 92161-2152  | 1        |
| CLAMP (Ref # 92171)                           | 92171-0058  | 1        |
| CLAMP (Ref # 92173)                           | 92173-1931  | 1        |
| WASHER,8.0X22.0X1.5 (Ref # 92200)             | 92200-0174  | 1        |
| NUT,8MM (Ref # 92210)                         | 92210-0121  | 1        |
| NUT,8MM (Ref # 92210A)                        | 92210-1114  | 4        |