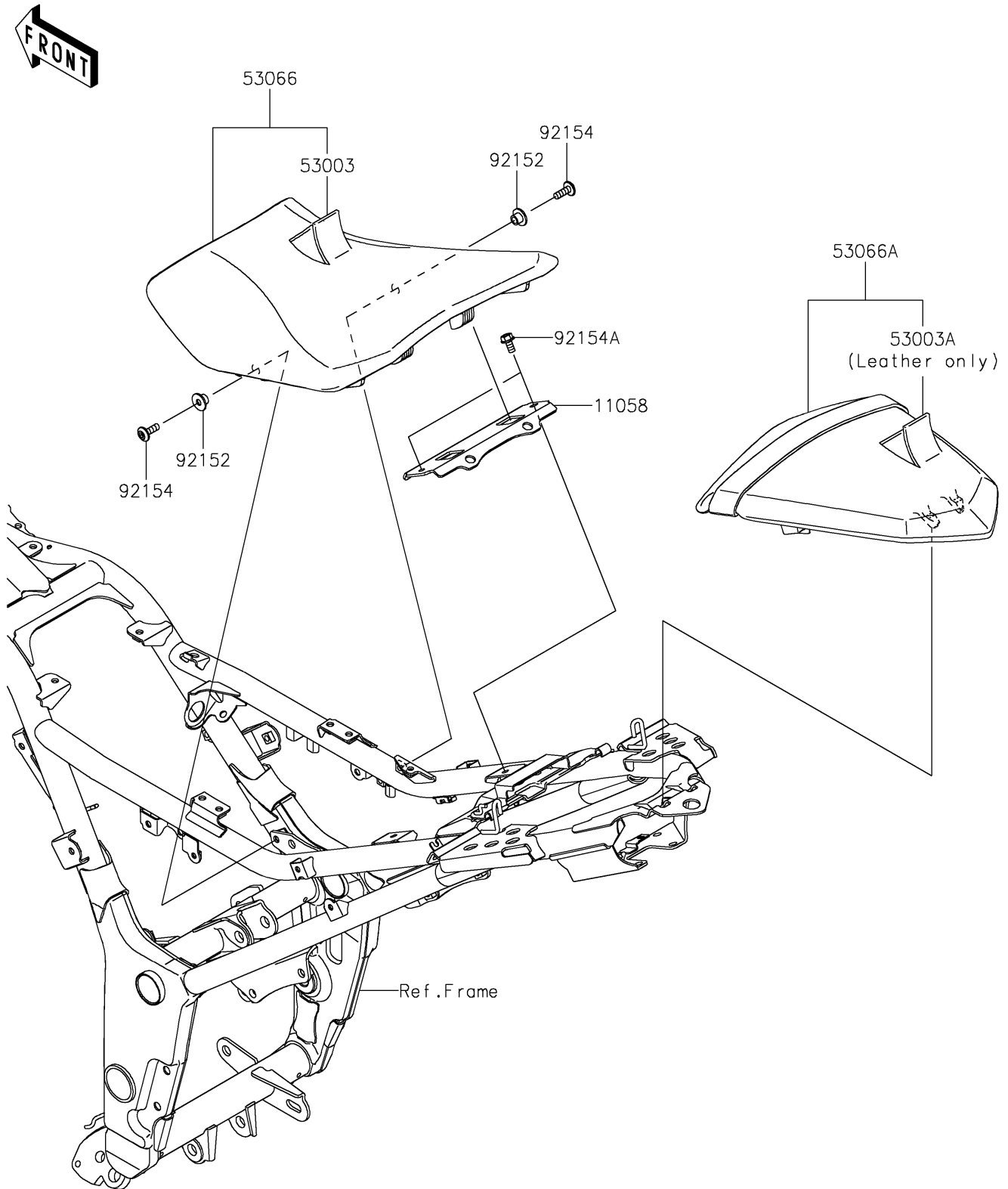


2026 Ninja 300 ABS

PARTS DIAGRAM

Seat

F2510



2026 Ninja 300 ABS

PARTS LIST

Seat

ITEM NAME	PART NUMBER	QUANTITY
BRACKET-COMP,SEAT (Ref # 11058)	11058-4129	1
LEATHER,FR SEAT,BLACK (Ref # 53003)	53003-0339-MA	1
LEATHER,RR SEAT,BLACK (Ref # 53003A)	53003-0340-MA	1
SEAT-ASSY,FR,BLACK (Ref # 53066)	53066-0370-MA	1
SEAT,RR,LEATHER BLK+BAND BLK (Ref # 53066A)	53066-0371-12Y	1
COLLAR (Ref # 92152)	92152-0295	2
BOLT,SOCKET,6X18 (Ref # 92154)	92154-1026	2
BOLT,FLANGED,6X12 (Ref # 92154A)	92154-1050	2