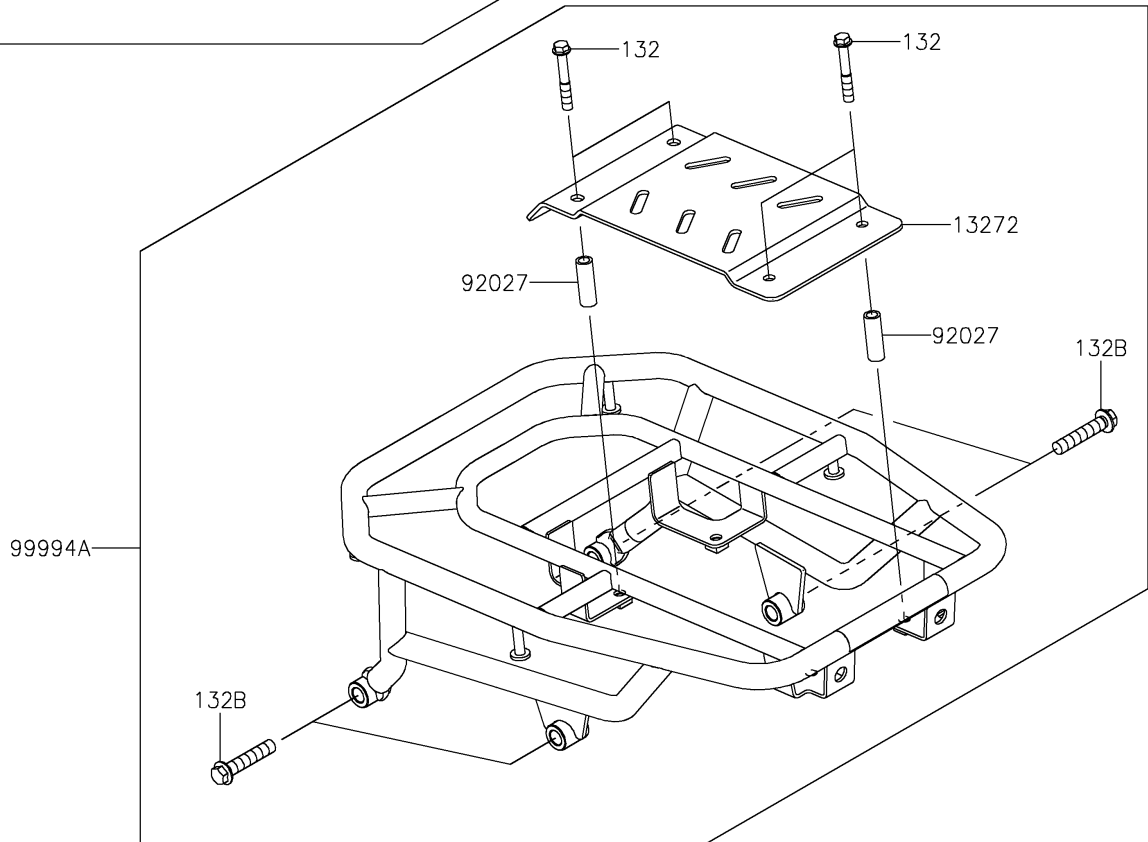
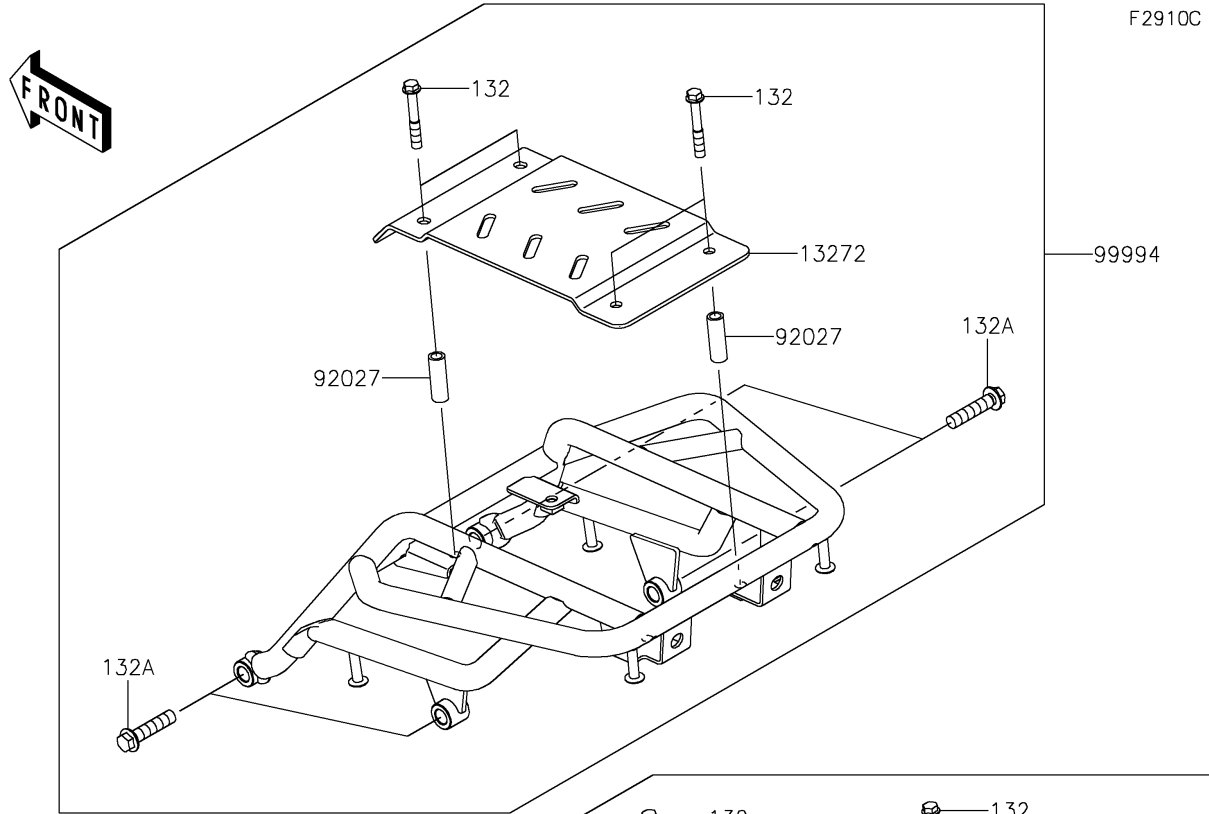


# 2026 KLX230 S ABS

## PARTS DIAGRAM

### Accessory(Carrier)



# 2026 KLX230 S ABS

## PARTS LIST

### Accessory(Carrier)

| ITEM NAME                            | PART NUMBER | QUANTITY |
|--------------------------------------|-------------|----------|
| PLATE (Ref # 13272)                  | 13272-2731  | 1        |
| COLLAR,6.8X10X30 (Ref # 92027)       | 92027-209   | 4        |
| CARRIER (Ref # 99994)                | 99994-1280  | 1        |
| CARRIER LARGE (Ref # 99994A)         | 99994-2019  | 1        |
| BOLT-FLANGED-SMALL,6X40 (Ref # 132)  | 132BA0640   | 4        |
| BOLT-FLANGED-SMALL,8X35 (Ref # 132A) | 132BA0835   | 4        |
| BOLT-FLANGED-SMALL,8X40 (Ref # 132B) | 132BA0840   | 4        |