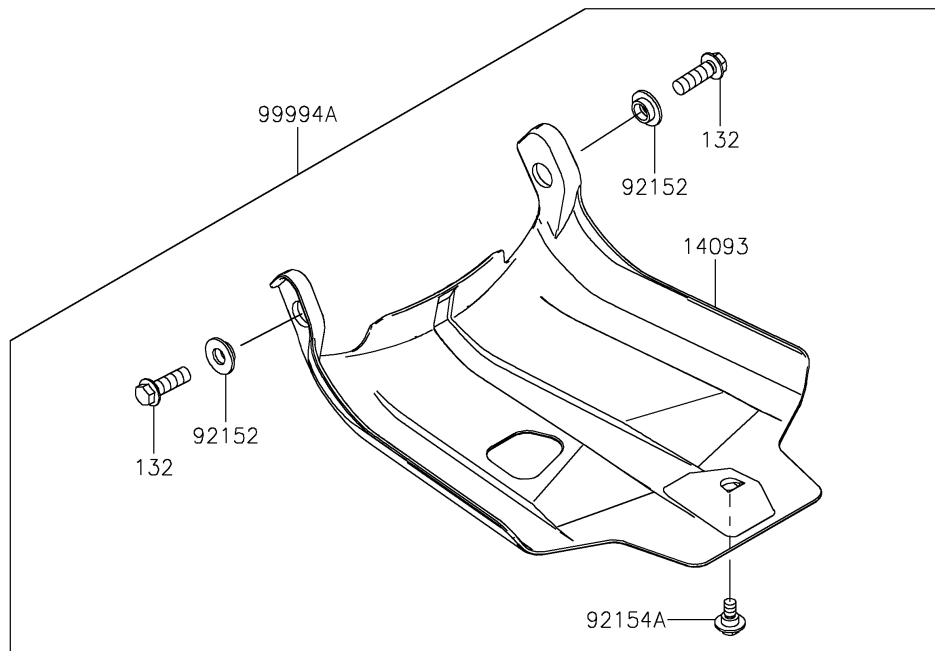
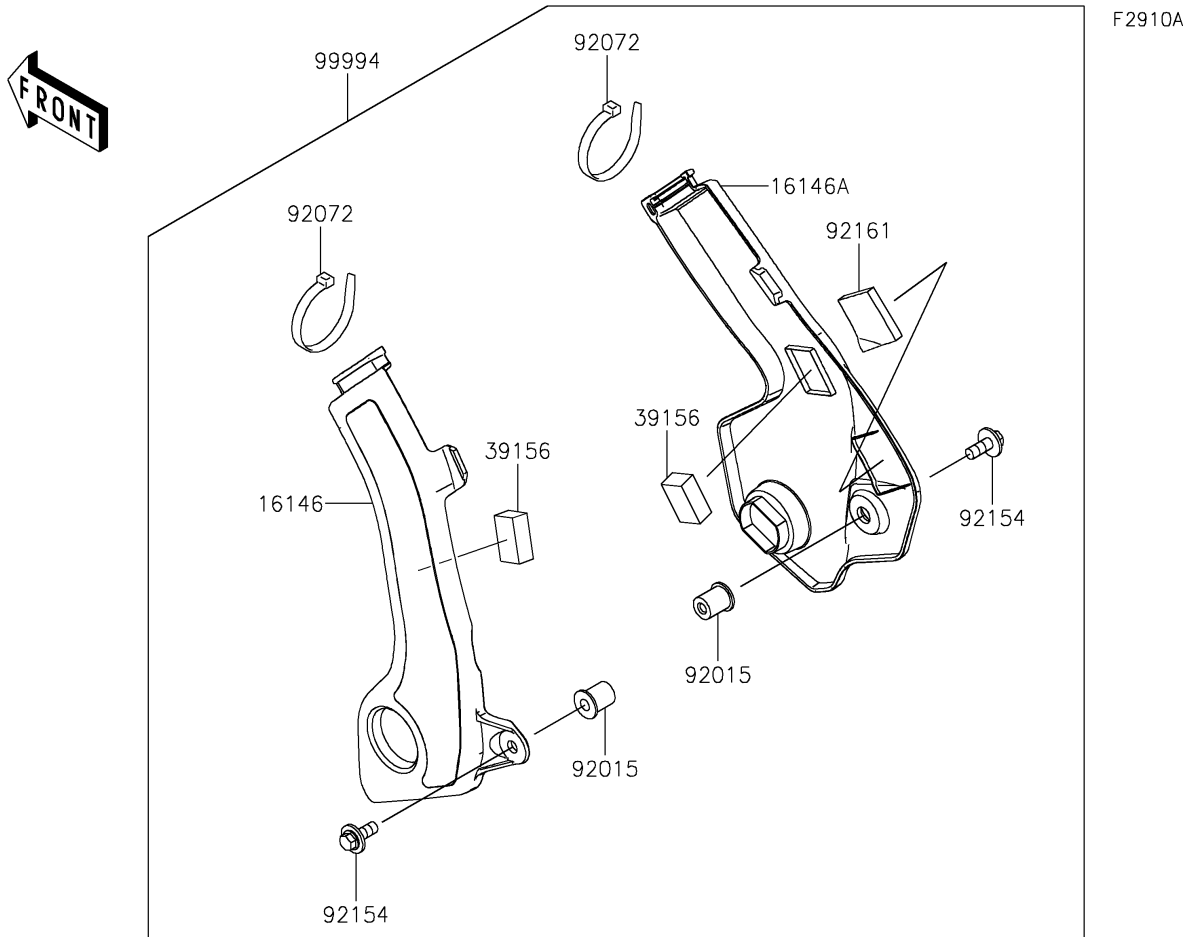


# 2025 KLX<sup>®</sup> 230 S ABS

## PARTS DIAGRAM

### Accessory(Frame Cover)



# 2025 KLX<sup>®</sup> 230 S ABS

## PARTS LIST

Accessory(Frame Cover)

**ITEM NAME**

**PART NUMBER**

**QUANTITY**

---