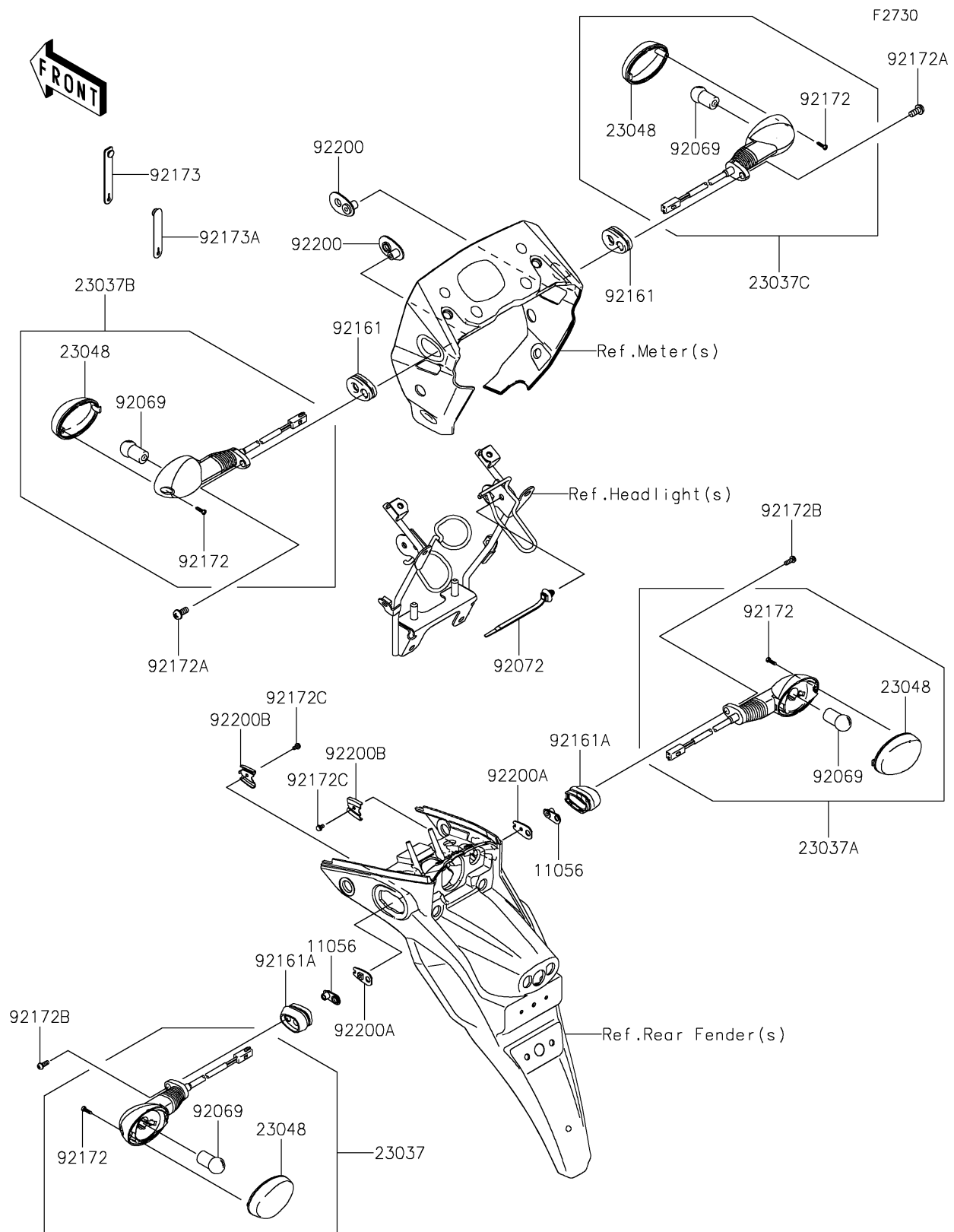


# 2026 KLX<sup>®</sup> 230 S ABS

## PARTS DIAGRAM

### Turn Signals



# 2026 KLX<sup>®</sup> 230 S ABS

## PARTS LIST

### Turn Signals



**ITEM NAME**

**PART NUMBER**

**QUANTITY**

---