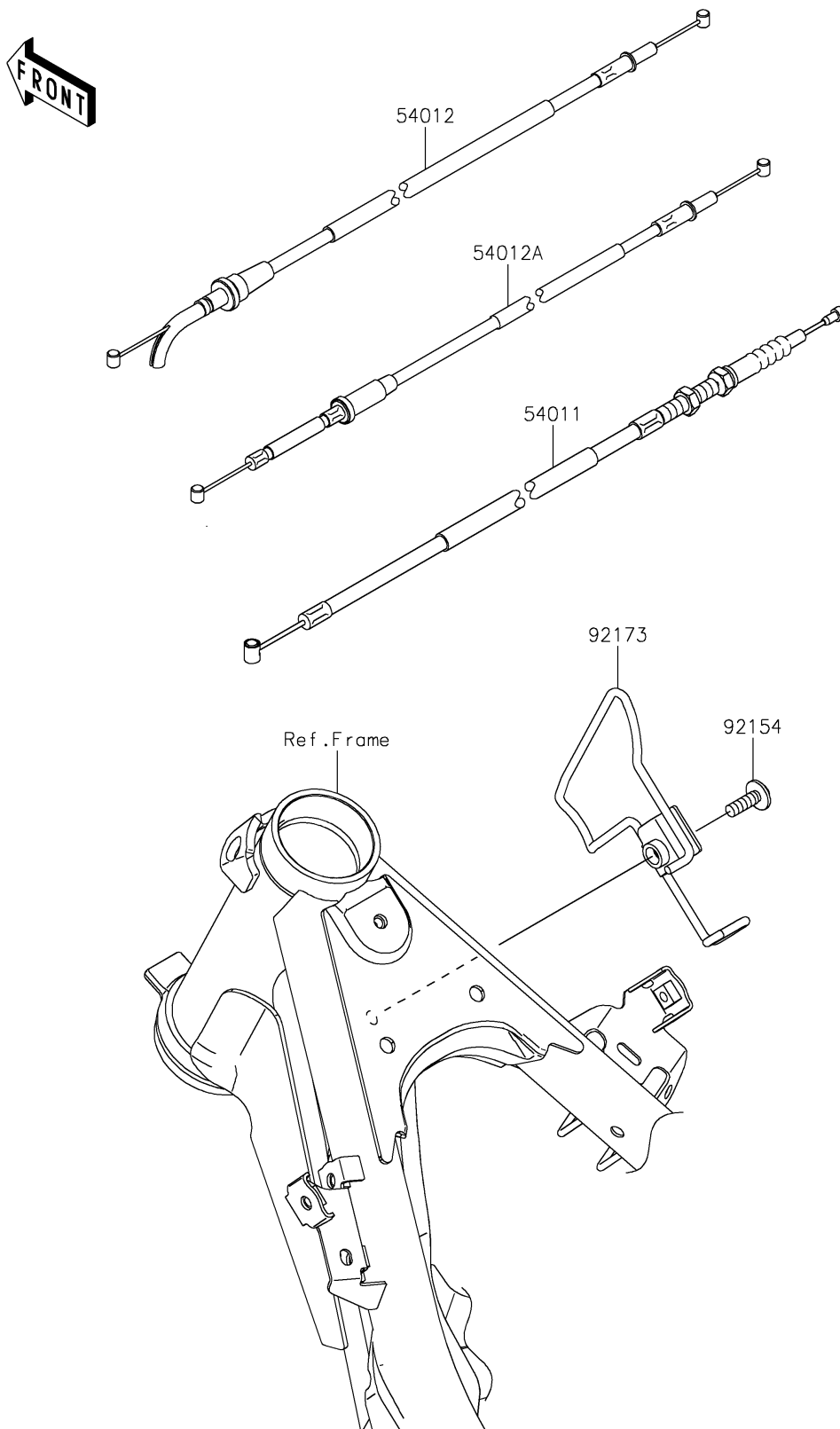


# 2024 KLX230 S ABS

## PARTS DIAGRAM

### Cables

F2540



# 2024 KLX230 S ABS

## PARTS LIST

### Cables



ITEM NAME	PART NUMBER	QUANTITY
-----------	-------------	----------

---